



FRYERS

INSTRUCTION FOR INSTALLATION AND USE
DIE GEBRAUCHS UND INSTALLATIONSANWEISUNG
NOTICE D'INSTALLATION ET D'EMPLOI
INSTRUCTIE VOOR INSTALLATIE EN GEBRUIK
NÁVOD K OBSLUZE A INSTALACI
BRUGS- OG MONTERINGSVEJLEDNING
UPUTSTVO ZA INSTALACIJU I UPOTREBU
GHID DE INSTALARE SI UTILIZARE



FE 90/40 17 E, FE 90/80 17 E





CONTENT

Declaration of a standards conformity	3
Instruction for use	6
Cleaning and maintenance	7

INHALT



Die Normenübereinstimmungsdeklaration	8
Gebrauchsanweisung	12
Die Reinigung und Instandhaltung	13

CONTENU



Déclaration de conformité	14
Mode d'emploi	17
Nettoyage et entretien	18

INHOUD



De verklaring van overeenstemming met de normen	19
Gebruiksaanwijzing	24
Reiniging en onderhoud	25

OBSAH



Prohlášení o souladu s normami	29
Návod k použití	33
Čistění a údržba	34

BRUGERVEJLEDNING



Erklæring om standard kompatibilitet	38
Brugsvejledning	41
Rensning og vedligeholdelse	42

SADRŽAJ



Izjava o saglasnosti Sa normama	47
Uputstvo za upotrebu	51
Čišćenje i održavanje	52

CONȚINUT



Declarație de conformitate cu regulile	57
Ghid de utilizare	61
Curățare și mentenanță	62

DECLARATION OF A STANDARDS CONFORMITY

The producer confirms that the devices agree with 2014/30/EU, 2014/35/EU standards, rule nr. 117/2016 sb., 118/2016 sb. and with relevant government orders. Installation must be done with respect to valid standards. Attention, the producer refuses any responsibility in case of direct or indirect damages which are caused due to wrong installation, incorrect intervention or modification, insufficient maintenance, incorrect use and also possibly caused by other reasons presented by items in sale conditions. This appliance is set only for skilled use and must be operated by qualified persons only. Parts set and secured by the producer or accredited person must not be rebuilt by user.

TECHNICAL DATA

Label with technical data is placed on the back side of the device. Study the electrical diagram of connection and all following information before installation.

MODEL	WATTAGE (W)	DIMENSION (MM)	VOLTAGE (V/Hz)	VOLUME (L)	WEIGHT (KG)	CABLE (RECOMMENDED)
FE 90/40 - 17 E	13,5 kW	400 x 900 x 900	400V/3N/50Hz	17	55	5x2,5 mm ²
FE 90/80 - 17 E	2x 13,5 kW	800 x 900 x 900	400V/3N/50Hz	2x 17	94	5x6 mm ²

PACKING AND DEVICE CHECK

The device leaves our stocks properly packed with appropriate symbols and labels. There are also appropriate instructions for use. In case the packing shows bad handling or damage, it must be reclaimed at transporter immediately by writing and signing of a damage protocol.

The product must be re-inspected once a year by a professional service technician. The main parts to be checked are the electrical wiring and the correct functioning of the safety features (safety thermostats, contactors, etc.). In the event that the product is not checked at regular intervals, the manufacturer disclaims liability for any damage incurred.

Important notice:

-This product is only intended for use inside.

Never use the appliance if it has a damaged supply cable or plug, if it is not working correctly, has fallen to the ground and been damaged or fallen into water. In such cases take the appliance to a professional service in order to verify that it is safe and works correctly.

- only for professional use
- this instructing guide must be read properly and carefully because it contains important information about safety elements, installation, use
- these recommendations refer to this product
- this product corresponds with valid standards
- this guide must be properly deposited for future use
- keep the children away from manipulation with the product
- when selling or moving the product to another place it is necessary to make yourself sure that the staff or the professional service has got acquainted with control and installation instructions from enclosed guide
- only authorised person can operate the product
- it can not be switched on without supervision
- we recommend to have the product checked by professional service min. once a year
- only original spare parts can be used for repairs
- the product can not be cleaned by the water jet or pressure shower
- by damage or break down disconnect all the feeders (water, gas, electricity) and call professional service
- producer refuses any responsibility in case of damages caused by wrong installation, by disobeying of above mentioned recommendations or by other use etc.

PLACEMENT

The device must be installed in well ventilated room what is necessary for regulation of the function of the device (technician must go by valid standard (EN....). If the device is situated close to the wall or if it is in contact with the furniture walls, these walls must resist the temperatures ranging to 90°C. Installation, setting, putting into operation must be done by qualified person who is competent for this and according to the valid standards.

Wrap up the device and check whether it was not damaged during transport. Settle the device on horizontal surface (max imbalance 2°).Settle the device under the fumehood to eliminate water steam and bad smell. The device can be installed separately or in a set with devices of our production. Min. distance 10 cm from other subjects must be kept.It is also necessary to prevent our product from contact with combustible materials. In this case you must make corresponding changes to secure heat izolation of combustible parts. Safety measures from the standpoint of the fire protection according to EN 061008čl. 21:

The components of the appliance provided by the manufacturer or its representative must not be reconfigured by the person installing the product.

TECHNICAL INSTRUCTIONS FOR INSTALATION AND REGULATION

Important:

The manufacturer does not provide warranty for defects caused by improper use, failure to instructions contained in the attached instructions for use and mistreatment of the appliances.

Installation, adjustment and repair of appliances for kitchens, as well as their removal because of possible damage to the gas can be carried out only under a maintenance contract, this contract may be signed with an authorized dealer, and must be complied with regulations and technical standards and regulations regarding the installation, power supply, gas connection and health & safety system.

These instructions are intended for the qualified technician who must perform the installation, put it into operation and test the appliance.

Any activity as settings, placement, rebalancing etc, must be made only when is device disconnected from electricity. If it is necessary to have the device connected to the electricity you must keep the highest attention to avoid any injuries.

DEVICE INSTALATION

Installation, setting, rebuilding for another gas type, putting into operation must be done by qualified person who is competent for this and according to the valid standards. The device can be installed in good ventilated room. When it is possible place the device under the fumehood to suck off the products of combustion. Air needy to the burning is 2m³/h/kW of the performance of the installed device. The device can be installed separately or in a set with devices of our production. Min. distance 10 cm from other subjects must be kept.It is also necessary to prevent our product from contact with combustible materials. In this case you must make corresponding changes to secure heat izolation of combustible parts (for example:place between the device and combustible material azbestos plate).

SAFETY MEASURES FROM THE STANDPOINT OF THE FIRE PROTECTION ACCORDING TO EN 061008 ČL. 21

- only adults can operate the device
- device must be safely used in common surroundings according to EN 332000-4-462; EN 332000-4-42. You must switch the gas device off under the circumstances leading: to the danger of the temporary rise of the combustion gas or steam or during works when there is a big possibility of rise of the temporary fire danger or explosion (for example: to stick linoleum, PVC etc.).
- before you start to instal the device you must get the licence for connection to the gas feeder from the gasworks
- device must be placed so as to stand or hang on the noncombustible surface which is on each side 10 cm larger than the device. No subjects from combustible materials can be placed directly on the device or in distance which is shorter than safety distance (the shortest distance is 50 cm in the direction of the heat emission and 10 cm in other directions).- safety distances from various materials of different degree of combustion and information about the degree of comb. of common building materials - see chart:

Chart:

Combustion degree of building materials classified according to the combustion degree of materials and products (EN 730823)

A noncombustible	granit, sandstone, concretes,bricks, ceramic wallfacing tiles, plaster
B uneasily combustible	akumine, heraklite, lihnos, itavere
C1 hardly combustible	leafy wood, plywood, sirkoklit, rare paper formica
C2 middle combustible	fibreboards, solodure, cork boards, rubber,floor-coverings
C3 easily combustible	wood-fibreboards, polystyrene,polyurethane, PVC

Devices must be instalated in a safe way. When instaling you must respect corresponding project, safety and hygienic orders according to:

- EN 061008 fire protection of local devices and sources of heat
- EN 332000 (33 2000-4-482; 33 2000-4-42) surrounding for electric devices ČSN EN 1775 Gas supplying
- Gas fi ttings in the buildings - the highest operational pressure < 5 bar - operation demands
- § 10 law nr. 185/2001 Sb. about waste


CONNECTION OF THE ELECTRIC CABLE TO THE ELECTRICITY

Instalation of electric feeder - This feeder must be separetely protected by a safety fuse according to the specific electric stream which depends on the wattage of the instaled device. Check the wattage on the label at the back of the device. Connect the device directly to the electricity but you must put the switch between the device and electric net. The switch must be placed in min. distance 3 mm between the particular contacts according to the standards and loading. The feeder of grounding (yellow-green) cannot be interrupted by this switch. In every case feeding cable must be placed so that no point of the cable will reach the temperature which is 50°C higher than the temperature of the surrounding. Before connecting the device check that:

- safety fuse of the feeder and inner mains can stand the loading of the device (see label of the matrix)
- mains are equipped with effective grounding according to standards (ČSN) and conditions given by law
- socket or switch of the feed is well accessible from device

We refuse any responsibility in case of not respecting above mentioned rules. Before the first use it is necessary to remove all the protection foil and to clean the device - see chapter „cleaning and maintenance“.

Maintenance: We recommend to have the device checked once a year by the proffesional service. Only qualified or competent persons can do interventions in the product.

-  -Do not insert the power cable plug into the el. socket and do not pull it out of the el. socket with wet hands or by pulling on the cable!
- Do not use extension cables or power strips.

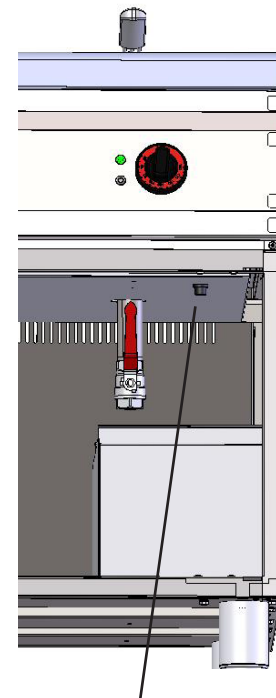
INSTRUCTION FOR USE

Attention! Before the first use of the device you must remove protection foil from all surfaces and wash the device with water with detergent. Then splash it with clean water. Use the device under supervision. Never use the device without oil or if the level of the oil is lower than min. line - danger of fire. If the oil is dirty or you use the oil longer time it may cause boiling over.

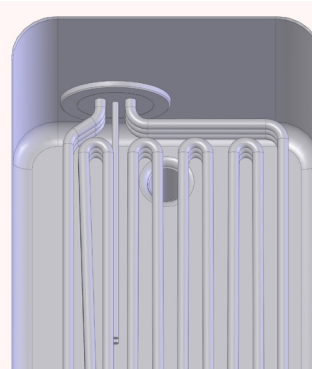
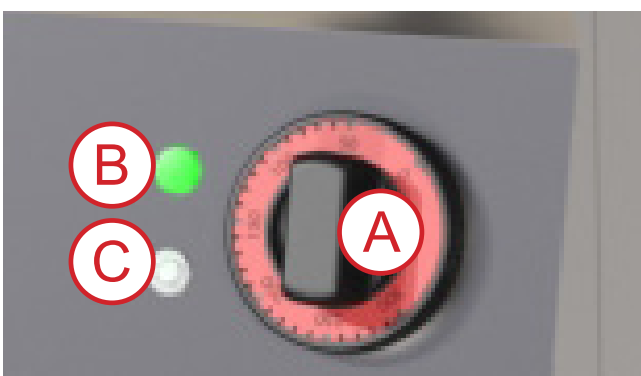
Make sure the heating element is in its working position (pic. 1) after connecting the appliance to the mains. If the heating element is positioned vertically, the appliance cannot be put into operation (pic. 2). Fill the device with frying oil not higher than the line on the side. Turn the knob (A) to required position between 50°C - 190°C. Pilot lamps (B) and (C) will light. Pilot lamp (B) lights when the device is in electricity and switched on. Pilot lamp (C) lights when the thermo spirals are on. Pilot lamp (C) goes out when the device reaches required temperature. Switch the device off by turning the knob (A) into position „0“.

Comments and recommendation

You must always check the level of oil, never use the device without oil. Use the device only under supervision.



Access to safety thermostat



CLEANING AND MAINTENANCE

ATTENTION! The device cannot be cleaned by direct or pressure water. Clean it daily. Daily maintenance keeps longer useful life and efficiency of the device. Before cleaning make sure to have disconnected the device from electricity. Always switch off the main feeder to the device. Stainless parts wash with moist cleaning cloth and detergent without groove parts than dry it by the cloth - mainly around the regulation knob, main switch, cable bushing, feeding cable, microswitch and fit-on listel. Do not use abrasive and corrosive detergents. How to clean heating elements - take out the box with heating elements. Clean the heating elements only with moist cloth. How to discharge the oil - take out the bown with the aid of handles on the sides. Do this only when the oil is cold. You can wash the bowl in the dishwasher. After washing it dry it with cloth and fill it with filtered or new oil.

WHAT TO DO IN CASE OF BREAK-DOWN

Switch off the electric feeder and call seller's professional service.

INDICATION

Guarantee does not cover all consumption parts succumable to common wear (rubber seals, bulbs, glass and plastic parts etc.). The guarantee does not refer to the devices which were not installed in correspondence with instructions - by qualified worker, in conformity with standards and when somebody handled incompetently the device (interventions into inner equipment) or the device was operated by non qualified staff or at variance with instructions for use. Guarantee does not also cover the damages caused due to influence of nature or other outer intervention.

DIE NORMENÜBEREINSTIMMUNGSDEKLARATION

Der Produzent erklärt, daß die Geräte in einer Übereinstimmung mit den Vorschriften der 2014/35/EU, 2014/30/EU dem Gesetz Nr. 118/2016 sb., 117/2016 sb. der Sammlung und zugehörigen Regierungsverordnungen stehen. Die Installation muss mit der Absicht auf geltende Normen durchgeführt werden. Vorsicht, im Falle einer direkten oder indirekten Beschädigung, die sich auf falsche Installation, unrichtigen Eingriff oder Anpassungen, ungenügende Instandhaltung, unrichtige Verwendung beziehen, und welche eventuell durch andere Ursachen, als in Punkten der Verkaufsbedingungen angeführt ist, so verzichtet der Importeur auf jegliche Verantwortung. Dieses Gerät ist nur für fachliche Verwendung bestimmt und muß durch qualifizierte Person bedient werden. Teile, die nach der Einstellung durch den Hersteller oder durch befugte Person gesichert wurden, dürfen vom Benutzer keineswegs umgestellt werden.

DIE TECHNISCHEN DATEN

Das Schild mit technischen Angaben ist auf der Rückseite des Gerätes angebracht. Studieren sie vor der Installation das elektrische Schema der Einschließung und alle folgende Informationen durch.

MODEL	ANSCHLUSSWERT (KW)	ABMESSUNG (MM)	SPANNUNG (V/HZ)	UMFANG (L)
FE 90/40 - 17 E	13,5 kW	800 x 900 x 900	400V/3N/50Hz	17
FE 90/80 - 17 E	2x 13,5 kW	800 x 900 x 900	400V/3N/50Hz	2x 17

DIE VERPACKUNGS-, UND VORRICHTUNGSKONTROLLE

Die Vorrichtung verlässt unsere Lager in ordentlicher Verpackung, auf deren die entsprechenden Symbole und Bezeichnungen stehen. In der Verpackung befindet sich entsprechende Bedienungsanleitung. Falls die Verpackung eine schlechte Behandlung oder Anzeichen der Beschädigungen vorweist, muß dieses sofort beim Transporteur reklamiert werden und zwar durch Unterzeichnung eines Schadensprotokolles.

Das Produkt muss einmal im Jahr von einem professionellen Servicetechniker überprüft werden. Dabei sind vor allem die elektrische Verkabelung und die Funktionstüchtigkeit der Sicherheitseinrichtungen (Sicherheitsthermostate, Schütze usw.) zu überprüfen. Wird das Produkt nicht regelmäßig überprüft, lehnt der Hersteller jede Haftung für eventuelle Schäden ab.

Wichtige Hinweise

-Das Erzeugnis ist nur zur Verwendung im Innenraum bestimmt.

Verwenden Sie den Verbraucher nie, wenn die Speisenzuleitung oder der Stecker beschädigt sind, das Gerät nicht richtig arbeitet, ist auf den Boden gefallen und hat sich beschädigt oder ist ins Wasser gefallen. Bringen Sie in solchen Fällen den Verbraucher zu einem Fach-Kundendienst zur Überprüfung seiner Sicherheit und richtiger Funktion.

- Nur für professionellen Verbrauch geeignet
- Diese Bedienungsanleitung muss ordentlich und bedächtig gelesen werden, weil sie wichtige Informationen über Sicherheitsmerkmale, Installation und Anwendung beinhaltet
- Diese Empfehlungen beziehen auf diesen Produkt
- Der Produkt entspricht geltenden Normen
- Diese Anleitung muß ordentlich für die zukünftige Verwendung hinterlegt werden
- Hindern Sie den Kinder an Vorrichtungsm Manipulation
- Beim Verkauf oder Verlegung ist es notwendig sich zu überzeugen, daß die Bedienstperson oder Fachservis sich mit der Beherrschung und Installationsanleitung in beiliegender Anleitung, anvertraut gemacht haben.
- Das Produkt darf nur eingeschulte Bedienung bedienen
- Das Produkt darf nicht ohne Aufsicht ins Betrieb gesetzt sein
- Es ist empfohlen, minimal einmal pro Jahr eine Fachkontrolle durchführen zu lassen
- Bei eventueller Reparatur der Teilenumtauschungen müssen ausschließlich Originalteile angewendet werden
- Das Produkt darf nicht durch einen Wasserstrahl oder Druckbrause gereinigt werden
- Schalten Sie alle Leitungen (Wasser, Elektrizität, Gas) bei einer Störung oder beim schlechten Lauf aus und rufen Sie autorisierten Service an
- Der Hersteller verzichtet auf jegliche Verantwortung bei Störungen, die durch fehlerhafte Installation, Nichteinhaltung o.a. Empfehlungen, andere Verwendung u.ä, verursacht wurden

DIE PLATZIERUNG

Es ist unbedingt notwendig, zu der Regulation der Gerätetätigkeit, daß das Milieu - der Küche -, wo das Gerät installiert wird, sehr gut belüftbar ist (im Hinblick darauf: sei der Techniker sich mit geltenden Normen (EN) richtet). Wenn die Einrichtung so plaziert wird, daß sie im Mobiliarwandkontakt stehen wird, so müssen diese einer Temperatur von 90°C widerstehen. Die Installation, Herrichtung, Inbetriebnahme müssen durch qualifizierte Person, die zu solchen Vorkehrungen eine Befugnis hat und dies laut geltenden Normen nach, durchgeführt werden.

Packen Sie das Gerät aus und kontrollieren Sie , ob sich das Gerät während des Transportes nicht beschädigt hat. Platzieren Sie das Gerät auf eine waagrechte Fläche (maximale Unebenheit bis 2°). Stellen Sie das Gerät unter den Haubenabzug, damit Sie die Wasserdämpfe und den Geruch eliminieren. Das Gerät kann selbständig oder in einer Reihe mit Geräten unserer Herrstellung installiert werden. Es ist notwendig die minimale Entfernung von 10 cm zu anderen Gegenständen einzuhalten, so dass die Wärmeisolierung der brennbaren Teilen gewährleistet wird.

Das Gerät kann selbständig oder in einer Reihe mit Geräten unserer Herrstellung installiert werden. Es ist notwendig die minimale Entfernung von 10 cm zu anderen Gegenständen einzuhalten, so dass die Wärmeisolierung der brennbaren Teilen gewährleistet wird.

TECHNISCHE HINWEISE ZUR INSTALLATION UND REGELUNG

Wichtig:

Zur Benützung AUSSCHLIEßLICH nur für spezialisierte Techniker
Instruktionen, die folgen, wenden sich an den Techniker, der für die Installation qualifiziert ist, damit er alle Operationen mit der korrektesten Weise und laut der gültigen Normen durchführt.

Wichtig

Jeweils irgendeine Tätigkeit, die mit der Regulation verbunden ist u.ä, muß nur mit der aus dem Netz ausgezogenen und abgeschalteten Einrichtung vollgezogen sein.

Solange das Gerät unter der Spannung notwendig zu halten ist, eine höchste Vorsicht zu beachten vorliegt.

DIE SICHERHEITSVORRICHTUNGEN AUS DER SICHT DES FEUERSCHUTZES LAUT EN. 061008 ČL. 21

Die Einrichtungsbedienung dürfen nur Erwachsene ausführen

- Das Gerät darf sicher in gewöhnlicher Umgebung laut EN 332000-4-482; EN 332000-4-42 verwendet werden.
- Es ist notwendig das Gerät so platzieren, daß es auf einer unbrennbaren Grundlage steht oder hängt.
- Es dürfen, auf und in eine Entfernung, die kleineremase als sicher vom Gerät bezeichnet wird, keine Gegenstände aus brennbaren Materilien (die kleinste Entfernung vom Brennbarem ist 10 cm) aufgestellt werden.
- Die sicheren Entfernungen von Massen der einzelnen Brenngra

Tabelle:

Baumassefeuerbrenngrad ins Brenngrad (EN) der Massen und Produkte eingegliedert

A	Unbrennbar	Granit, Sandstein, beton, Ziegel, Keramikbekleidung, Putz
B	nicht einfach brennbar	Akumin, Heraklit, Lihnos, Itaver
C1	schwer brennbar	Holz, Laubbaum, Furnier Sirkoklit, Festpapier, Umakart
C2	mittel brennbar	Holzspanplatten, Solodur, Korkplatten, Hartgummi, Bodenbeläge
C3	leicht brennbar	Holzfasерplatten, Polystyren, Polyureten, PVC

Die Bedarfsartikel müssen sicher installiert werden und sind mit regulierenbaren Beinchen - zur Ausgleichen der Höhe und der Unebenheiten eingestattet.

Die Geräte müssen in einer sicheren Weise installiert werden. Bei der Installation müssen weiter betreffende Projekt-, Sicherheits-, und Hygienevorschriften respektiert werden.

- EN 06 1008 Feuerschutz der örtlichen Geräte und der Wärmquellen
- EN 33 2000 (33 2000-4-482; 33 2000-4-42) Umgebung für elektrische Geräte
- Gasversorgung -Gasleitunge in Gebäuden - Höchste Verkehrsdruck ≤ 5 BarVerkehrsansprüche,
- § 10 des Gesetzes Nr.185/2001 Sb., der Abfälle betrifft.

DER ELEKTRISCHE KABELNETZANSCHLUSS

Die Installation der elektrischen Ankupplung - Diese Zuleitung muß selbstständig gesichert werden. Und das durch entsprechende Sicherung des Nennstromes in der Abhängigkeit am Anschlußwert des installierten Gerätes. Kontrollieren sie den Anschlußwert des Apparates auf dem Produktionsschild im Hinterteil des Gerätes. Schließen Sie das Gerät direkt ans Netz an.

Es ist unbedingt notwendig zwischen das Gerät und das Netz einen Schalter zu legen, der eine minimale Entfernung von 3mm unter den Einzelkontakten aufweist und der auch den geltenden Normen und Belastungen entspricht. Die Erdungszuleitung (gelbgrün) darf nicht durch diesen Schalter unterbrochen sein.

Der Zuleitungskabel muß in jedem Fall so angebracht sein, dass er in keinem Punkt einer um 50°C höherer Temperatur als Umgebungstemperatur nicht erreicht. Eher das Gerät ans Netz angeschlossen wird, versichern Sie sich, dass:

- die Zuleitungssicherung und die Innenscheidung die Einrichtungsbelastung ertragen (siehe Matriceschild),
- die Verteilung mit wirksamer Erdung laut Normen (EN) und Gesetzbedingungen ausgestattet ist

WIR VERZICHTEN AUF JEGLICHE VERANTWORTUNG IM FALLE, DASS DIESE NORMEN NICHT RESPEKTIERT WERDEN UND IM FALLE DER NICHTEINHALTUNG DER OBENERWÄHNTER GRUNDSÄTZE.

Es ist notwendig die Schutzfolie vor der ersten Benützung zu beseitigen, sowie das Gerät zu reinigen siehe das Kapitel „Reinigung und Instandhaltung“.



-Führen Sie den Stecker der Speisezuleitung in die el. Steckdose und ziehen ihn aus der el. Steckdose mit nassen Händen und durch Ziehen der Speisezuleitung nicht!

-Verwenden Sie keine Verlängerungskabel oder Kombisteckdosen.

GEBRAUCHSANWEISUNG

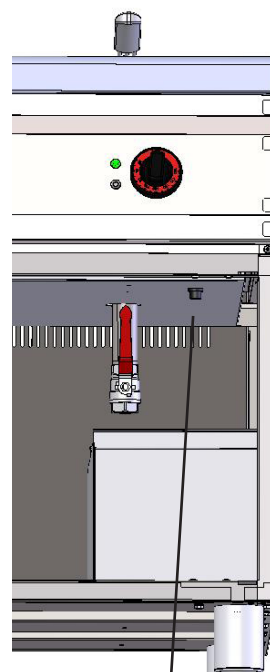
Vorsicht!

Bevor Sie das Gerät verwenden werden, ist es notwendig ihn gut mit feuchte Waschlappen abzuwaschen, und danach ins Trocken abzuwischen. Lassen Sie nie das Gerät ohne Aufsicht im Betrieb. Schalten Sie nie das Gerät ohne Öl oder wenn sein Niveau unter der Minimumstrich ist ein. Falls der Öl beschmutzt ist oder Sie ihn längerer Zeit verwenden, droht die Gefahr der Ölentzündung.

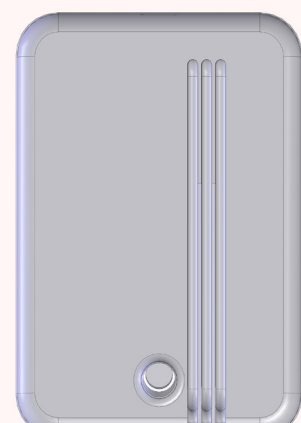
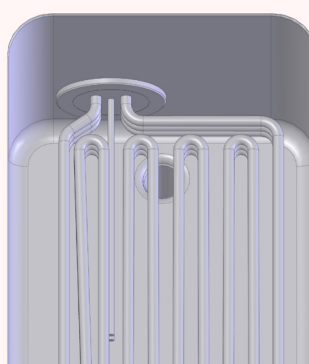
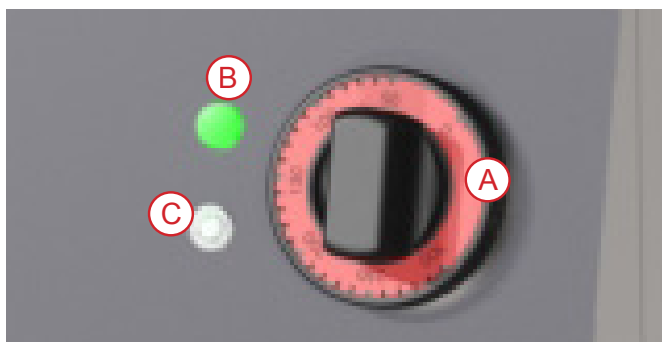
La vanne d'arrivée d'eau est située sur le panneau avant. Il faut remplir le bain-marie avec précaution, en raison de la présence de bulles d'air dans la tuyauterie, qui risqueraient de provoquer une brusque arrivée d'eau au niveau du bec de robinet. Nach dem Anschluss der Anlage an das Netz vergewissern Sie sich, dass der Heizkörper in der Arbeitsposition ist (Abb. 1). Sofern der Heizkörper in die vertikale Lage gedreht ist, kann die Anlage nicht in Betrieb genommen werden (Abb. 2). Füllen Sie das Gerät mit zum Fritieren passendem Öl bis auf den Maximumstrich an der Nebenseite ein. Stellen Sie mit dem Beherrschenrädchen (A) die verlangte Temperatur in einer Spanne von 50°C bis 190°C ein. Die Kontrollleuchten (B) und (C) werden scheinen. Die Kontrolllampe (B) scheint, wenn das Gerät unter Elektrostrom steht. Die Kontrolllampe (C) scheint, wenn die Heizkörperspiralen im Gange sind. Die Kontrolllampe (C) erlischt, wenn das Gerät auf die gewünschte Temperatur geheizt ist. Das Gerät schalten Sie so aus, wenn Sie das Beherrschenrädchen (E) in die Lage „0“.

Die Bemerkungen und Empfehlungen

Kontrollieren Sie immerwährend den Ölspiegel, verwenden Sie niemals das Gerät ohne Öl. Benützen Sie das Gerät nur unter Aufsicht.



Zugang zu dem Sicherheitsthermostat



INSTANDSHALTUNG

Es ist empfohlen mindestens einmal pro Jahr das Gerät durch einen fachlichen Servicedienst warten zu lassen. Alle Eingriffe in das Gerät darf nur eine qualifizierte Person durchführen, die zu solchen Handlungen eine Befugnis besitzt.

!!! Nach jedem Reinigungsaustrüstung nötig ist, die Oberfläche der Arbeitsplatte mit Pflanzenöl!!!

Bemerkunge und Empfehlunge

Benützen Sie das Gerär nur unter ständigen Aufsicht.

DIE REINIGUNG UND INSTANDSHALTUNG

ACHTUNG! Die Einrichtung darf nicht mit Direkt-, oder Druckwasserstrahl gereinigt werden. Reinigen Sie das Gerät täglich. Die Lebensdauer und Gerätewirkung wird durch die tägliche Wartung gewährleistet. Überzeugen Sie sich, vorm Reinigungsanfang, dass Sie die Einrichtung vom Elektrostrom abgeschaltet haben. Schalten Sie immer die Gerätehauptzufuhr ab. Waschen Sie die Edeltaile mit feuchtem Waschlappen, der im Waschpulver getauft ist und keine grobe Teilchen aufweist. Wischen Sie dann alles ins Trockene ab. Hauptsächlich die Umgebung des Regulierungknopfes, Hauptschalters, Kabeldurchführungisolators, Stromzufuhrkabels, Mikroschaltern und der Aufsitzleiste. Verwenden Sie keine abrasive oder korrosive Reinigungsmittel. Reinigung der Heizkörper - ziehen Sie die Box mit den Heizkörper aus. Reinigen Sie die Heizkörper nur mit einem feuchten Waschlappen. Ölablassen - ziehen Sie den Behälter mittels seitlichen Griffen aus. Diesen Vorgang nehmen Sie nur mit kaltem Öl vor. Sie können den Behälter in einer Geschirrspülmaschine waschen. Wischen Sie nach dem Waschen dann alles ins Trockene ab und giessen Sie den gefiltrierten oder einen neuen Öl zurück.

WIE MAN IM FALLE EINER STÖRUNG VORANGEHEN SOLL

Schalten sie die elektrische Stromleitung ab und rufen die Serviceorganisation des Verkäufers an.

HINWEIS

Die Garantie bezieht sich nicht auf alle Verbrauchsteile, die der geläufiger Abnutzung unterstehen (gesamte Gummidichtungen, Glühlampen, alle gläsernde und plastische Teile, usw.). Die Garantie bezieht sich nicht weiterhin auf Einrichtungen, die durch befugte Person laut Anweisung und entsprechender Normen nicht installiert worden sind und wenn mit dem Gerät unfachmännisch manipuliert wurde (Eingriffe ins Innere) und auf Beschädigungen durch Natureinflüsse oder Ausseneingriffe.

DÉCLARATION DE CONFORMITÉ

Le fabricant certifie la conformité des appareils aux normes 2014/30/EU, 2014/35/EU à la loi n° 117/2016 sb., 17/2003 sb. et aux décrets applicables. L'installation doit être effectuée dans le respect des normes en vigueur. Attention: le fabricant décline toute responsabilité en cas de dommages, directs ou indirects, causés par une mauvaise installation, par une utilisation, des interventions ou des modifications impropres, par un entretien insuffisant, ainsi qu'en cas de dommages dérivant des causes mentionnées dans les conditions de vente. L'appareil objet de la présente notice est prévu pour un usage professionnel, aussi son utilisation doit-elle être confiée à un personnel possédant les compétences nécessaires à cet effet. L'utilisateur ne doit procéder à aucune intervention ni à aucune modification sur les parties réglées et protégées par le fabricant ou autre personnel autorisé à cet effet.

CARACTÉRISTIQUES TECHNIQUES

L'étiquette sur laquelle figurent les caractéristiques techniques est apposée sur la partie postérieure de l'appareil. Avant de procéder à l'installation, prendre connaissance du schéma électrique et de toutes les informations que contient la présente notice.

MODEL	PUISSANCE (KW)	DIMENSIONS (MM)	TENSION (V/Hz)	CAPACITÉ (L)
FE 90/40 - 17 E	13,5 kW	800 x 900 x 900	400V/3N/50Hz	17
FE 90/80 - 17 E	2x 13,5 kW	800 x 900 x 900	400V/3N/50Hz	2x 17

CONTROLE DE L'EMBALLAGE ET DE L'APPAREIL

En vue de son transport, l'appareil quitte les établissements du fabricant parfaitement emballé (sur l'emballage sont apposés les étiquettes et les symboles nécessaires à cet effet). L'emballage contient également la notice des instructions d'utilisation. Dans le cas où l'emballage présenterait des dommages ainsi que dans le cas où il s'avérerait qu'il a été manipulé sans les précautions nécessaires, il est impératif d'adresser sans attendre une déclaration au transporteur en y joignant une acceptation de la marchandise sous réserve.

Le produit doit être inspecté une fois par an par un technicien professionnel. Les principaux éléments à vérifier sont le câblage électrique et le bon fonctionnement des dispositifs de sécurité (thermostats de sécurité, contacteurs, etc.). Si le produit n'est pas contrôlé à intervalles réguliers, le fabricant décline toute responsabilité pour les dommages éventuels.

Recommandation importante:

-Le produit est destiné uniquement à un usage intérieur.

N'utilisez jamais cet appareil si le cordon ou la fiche sont endommagés, si l'appareil fait défaut, s'il a été échappé ou endommagé ou immergé. Dans ce cas, retournez cet appareil au centre service autorisé pour examen.

- Pour usage professionnel seulement
- La présente notice des instructions d'utilisation et d'entretien contient d'importantes informations relatives à la sécurité, à l'installation et à l'utilisation; il est nécessaire d'en effectuer attentivement la lecture.
- Les recommandations se réfèrent à l'appareil objet de la présente notice.
- L'appareil est conforme aux normes en vigueur.
- Veiller à bien conserver la notice de telle sorte qu'elle puisse être consultée à tout moment en cas de besoin.
- Ne pas laisser des enfants s'approcher de l'appareil durant son utilisation.
- Pendant la vente ou après le déménagement de l'appareil vérifier que le personnel lise attentivement la présente notice d'utilisation
- L'appareil ne peut être utilisé que par le personnel instruit
- L'appareil ne peut être laissé en marche sans surveillance
- Il est recommandé de faire l'appareil contrôler au moins une fois par an dans un service spécialisé
- Ne pas utiliser que des pièces détachées originelles.
- En cas de défaut ou de mauvaise fonction, débrancher l'appareil (eau, gaz, électricité) et appeler un service spécialisé
- Le fabricant décline toute responsabilité en cas de dommages, directs ou indirects, causés par une mauvaise installation, utilisation, etc

LA LOCATION

Le local dans lequel l'appareil est installé doit être bien ventilé. Si l'appareil doit toucher le parois, celui-ci doit résister à la chaleur de 90°C au minimum. L'installation, le réglage et la mise en marche doivent être effectués par une personne qualifiée ayant une autorisation nécessaire selon les normes en vigueur.

Déballer l'appareil et vérifiez s'il n'était pas endommagé pendant le transport. Placez l'appareil sur une surface horizontale (pente maximale de 2°). Placez l'appareil sous une hotte pour éliminer la vapeur et mauvaise odeur.

L'appareil peut être installé seul ou en série avec d'autres appareils de notre fabrication. Il faut respecter la distance minimale de 10 cm entre l'appareil et d'autres objets ainsi qu'éviter le contact avec les matériaux inflammables. Dans ce cas il faut prévoir les arrangements nécessaires pour assurer la protection des parties inflammables.

INSTRUCTIONS TECHNIQUES POUR INSTALLATION ET REGLEMENT

Important:

Le fabricant ne fournit pas de garantie pour les défauts causés par l'usage, tout manquement impropre aux instructions contenues dans les instructions ci-jointes pour l'utilisation et aux mauvais traitements des appareils.

Installation, réglage et réparation d'appareils pour les cuisines, ainsi que leur élimination en raison de dommages possibles au gaz peut être effectuée qu'en vertu d'un contrat de maintenance, ce contrat peut être signé avec un distributeur agréé, et doivent être conformes à la réglementation technique et normes et réglementations concernant l'installation, l'alimentation, de raccordement de gaz et de la santé et la sécurité du système.

Ces instructions sont destinées au technicien qualifié qui doit effectuer l'installation, le mettre en marche et tester l'appareil.

Toute activité en tant que paramètres, le placement, le rééquilibrage etc, doit être faite que lorsqu'il est périphérique déconnecté de l'électricité. Si il est nécessaire d'avoir le périphérique connecté à l'électricité, vous devez garder la plus grande attention afin d'éviter toute blessure.

MÉSURES DE SÉCURITÉ POUR LA PROTECTION CONTRE INCENDIE SELON EN 06 1008 ARTICLE 21:

- l'appareil ne peut être utilisé que par des personnes majeures
- l'appareil peut être utilisé dans un espace ordinaire selon EN 332000-4-482; 332000-4-42
- l'appareil doit être placé ou suspendu d'une manière stable sur une surface ininflammable

Il est interdit de placer sur l'appareil ou dans la distance inférieure à 10 cm de l'appareil des objets inflammables.

- les distances de sécurité pour les matériaux inflammables selon leurs degré d'inflammabilité et les informations sur l'inflammabilité des matériaux de construction – voir le tableau

Tableau:

degré d'inflammabilité d'un matériel de construction (EN 730823)

A ininflammables	granit, grès, béton, briques, carrelage céramique, enduit
B difficilement inflammables	acumin, héraclite, lihnos, itaver
C1 mal inflammables	bois des arbres feuillus, contre-plaqué, papier durci, umakart
C2 inflammabilité moyenne	aggloméré, solodur, liège, caoutchouc, revêtements
C3 inflammabilité facile	planches de fibre de bois, polystyrène, polyurethane, PVC

L'appareil doit être installé d'une manière sûre. Pour l'ajustage de l'appareil est ce-ci procuré des pieds réglables.

- EN 06 1008 protection contre incendie des consommateurs d'énergie locaux et des émetteurs de chaleur
- EN 33 2000 (33 2000-4-482; 33 2000-4-42) le milieu pour les appareil électriques

BRANCHEMENT ÉLECTRIQUE

Installation de prise de courant – La prise de courant doit avoir un coupe-circuit indépendant en dépendance de puissance fournie de l'appareil. Vérifiez la puissance de l'appareil sur la plaque des caractéristiques techniques.

Branchez l'appareil directement au réseau, il faut mettre un interrupteur entre le réseau et l'appareil, son ouverture de contacts étant 3 mm au minimum. Câble de terre (vert-jaune) ne peut pas être interrompu par cet interrupteur. En tout cas, le câble de prise de courant doit être placé de telle manière que sa température ne dépasse jamais la température du milieu de plus que 50°C. Avant le branchement au réseau, s'assurer que :

- le coupe-circuit et distribution intérieure peuvent endurer la charge de l'appareil (voir la plaque)
- la mise à la terre fonctionne selon les normes en vigueur (EN) et selon la loi
- la prise ou l'interrupteur de circuit sont faciles d'accès

Le fabricant rénonce à toute responsabilité en cas que les normes ne seront pas respectés ainsi qu'en cas de dérogation des règles mentionnés ci-haut.

Avant la première utilisation, il faut retirer le film de protection et nettoyer l'appareil – voir chapitre « nettoyage et entretien ».

Entretien:

Il est recommandé de faire contrôler l'appareil dans un service spécialisé au moins une fois par an. Toutes les interventions peuvent être effectuées seulement par une personne qualifiée ayant une autorisation pour ces interventions.



- N'introduisez pas la fiche du cordon dans la prise de courant et ne débranchez pas l'appareil de la prise électrique si vos mains sont mouillées ou en tirant sur le cordon électrique !
- N'utilisez pas de rallonge ou de multiprise.

UTILISATION ET ENTRETIEN

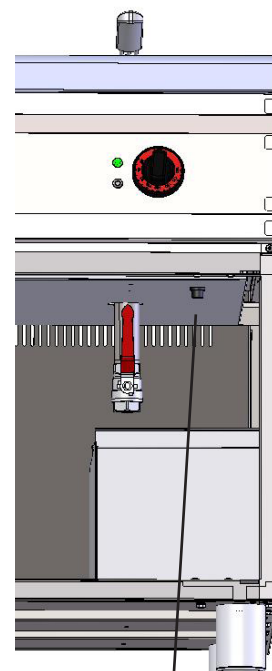
Utilisation à l'aide d'huile: il est recommandé de faire usage d'une huile de bonne qualité (type ...); les meilleurs résultats s'obtiennent à l'aide d'huile d'olive ou d'huile d'arachide. Utilisation à l'aide de graisse: les graisses les mieux adaptées sont les graisses de type végétales; la graisse doit être fondue avant d'être placée dans la friteuse.

Après le branchement de l'appareil au réseau électrique, assurez-vous que le corps de chauffage est en position de travail (image n° 1). Si le corps de chauffage est en position verticale, il n'est pas possible de mettre l'appareil en marche (image n° 2). Après le branchement de l'appareil au réseau électrique, assurez-vous que le corps de chauffage est en position de travail (image n° 1). Si le corps de chauffage est en position verticale, il n'est pas possible de mettre l'appareil en marche (image n° 2). Verser la graisse ou l'huile dans le bac de friture jusqu'à ce que soit atteint le niveau intermédiaire entre le MINI et le MAXI. Et positionner le bouton du thermostat (A) sur la température souhaitée. Les voyants (B) et (C) seront allumés. Le voyant (B) est allumé quand l'appareil est sous le courant électrique. Le témoin (C) est allumé si les résistances sont en marche. Le voyant (C) s'éteint aussitôt que la plaque est échauffée à la température ajustée. Pour débrancher l'appareil, rendre le bouton du thermostat (A) dans la position „0“.

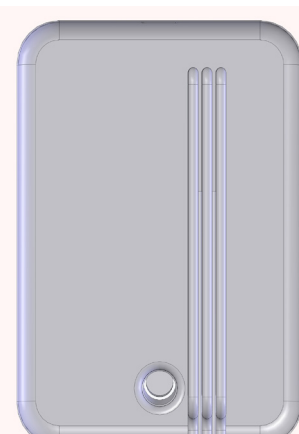
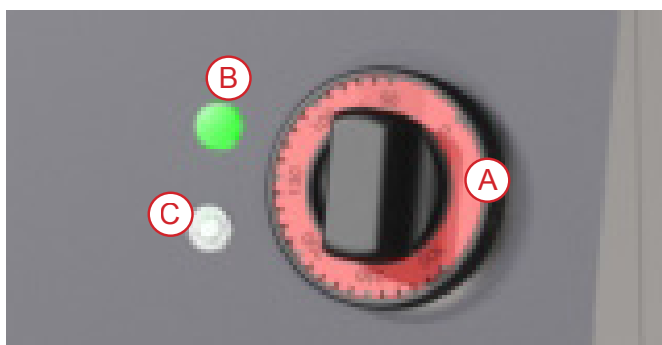
NOTE: FRITUSES ÉQUIPÉES DE THERMOSTAT DE SÉCURITÉ

Dans le cas où le thermostat de la friteuse serait défectueux, le thermostat de sécurité en assure le blocage et le bouton rouge, situé sur la partie externe, se déclenche; si tel devait être le cas, établir la cause de l'anomalie.

Une fois effectuées les opérations de filtrage et de nettoyage, remplir à nouveau la friteuse et, au besoin, rajouter la quantité d'huile nécessaire pour rétablir le niveau.



d'accès thermostat de sécurité



MAINTENANCE

Il est conseillé de faire contrôler l'appareil au moins une fois par an par un service spécialisé. Tous les interventions dans l'appareil peuvent être effectuées uniquement par une personne qualifiée, possédant l'autorisation à telles opérations

!!! AFIN D'ÉVITER LA FORMATION DE ROUILLE, IL FAUT TRAITER LA SURFACE AVEC UNE HUILE VÉGÉTALE APRÈS CHAQUE NETTOYAGE !!!!!

NETTOYAGE ET ENTRETIEN

ATTENTION! Le nettoyage au jet d'eau ou sous pression n'est pas autorisé.

Nettoyer l'appareillage tous les jours. Le nettoyage quotidien prolonge la durée de service et l'efficacité d'appareillage. Avant d'effectuer toute entretien, il faut débrancher l'appareil du réseau électrique. Les parties en inox doivent être nettoyées avec un chiffon humide, à l'aide d'un détergent liquide, non abrasif et ensuite être bien essuyées. Pour éliminer les reliefs du plan de travail, il est possible d'utiliser une spatule.

Comment procéder en cas d'une panne

Débrancher la prise du cordon secteur et contacter le service après-vente du revendeur.

AVERTISSEMENT

La garantie ne couvre pas de pièces soumises à l'usure normale (étanchements en caoutchouc, lampes, pièces plastiques et en verre, etc.) ainsi que l'appareillage dont l'installation n'a pas été exécuté conformément à la mode d'emploi, par une personne qualifiée et conformément aux normes correspondantes. La garantie ne couvre pas de dommages causés par une manipulation non autorisée (interventions dans l'appareillage intérieure) ou si l'appareil était servi par des personnes non qualifiées et/ou en cas de non-respect des instructions du manuel d'utilisation. La garantie ne couvre pas de dégâts causés par des actions naturelles ou par d'autres influences extérieures.

Nettoyage des résistances de chauffage: retirer les résistances de chauffage. Nettoyer les résistances uniquement à l'aide d'un torchon humide. Vidange de l'huile : retirer le bac à l'aide des poignées. À effectuer seulement quand l'huile est froide. Il est possible de laver le bac dans une lave-vaisselle. Quand le bac est propre, le sécher et verser à nouveau de l'huile filtrée ou propre.

DE VERKLARING VAN OVEREENSTEMMING MET DE NORMEN

De fabrikant verklaart dat de apparaten voldoen aan de basiseisen van de richtlijn 2014/30/EU (verordening van de regering nr. 117/2016 Coll.) en de eisen van de richtlijn 2014/35/EU (verordening van de regering nr. 118/2016 Coll.).

Houd er rekening mee dat de fabrikant elke aansprakelijkheid afwijst in geval van directe of indirecte schade, die betrekking heeft op verkeerde installatie, niet correcte ingreep of aanpassingen, onvoldoende onderhoud en onjuist gebruik en die eventueel veroorzaakt zijn door andere oorzaken die gespecificeerd zijn in de afzonderlijke punten van de verkoopsvoorwaarden. Dit apparaat is uitsluitend bedoeld voor professioneel gebruik en moet worden bediend door gekwalificeerd personeel. Onderdelen die na afstelling door de fabrikant of een geautoriseerd persoon zijn beveiligd, mogen door de gebruiker niet gewijzigd worden.

Technische gegevens

Het typeplaatje met technische gegevens bevindt zich aan de zijkant of op de achterkant van het apparaat. Bestudeer het elektrische schema van het apparaat en alle onderstaande informatie, voordat u overgaat tot installatie van het apparaat.

PRODUCTTYPE	OPGENOMEN VERMOGEN (W)	AFMETINGEN VAN HET APPARAAT (MM)	SPANNING (V/Hz)	INHOUD (L)	GEWICH (KG)	CABLE (RECOMMENDED)
FE 90/40 - 17 E	13,5 kW	400 x 900 x 900	400V/3N/50Hz	17	55	5x2,5 mm ²
FE 90/80 - 17 E	2x 13,5 kW	800 x 900 x 900	400V/3N/50Hz	2x 17	94	5x6 mm ²

Controle van de verpakking en het apparaat

Het apparaat verlaat ons magazijn in een verpakking die voldoet aan alle voorschriften en waarop zich de vereiste symbolen en markeringen bevinden. In de verpakking bevindt zich de overeenkomstige gebruiksaanwijzing. Indien de verpakking beschadigd is of wijst op onjuist transport, dient u dit onmiddellijk te reclameren bij de transporteur door middel van ondertekening van een schadeprotocol. Latere indiening van klachten wordt niet in aanmerking genomen.

Het product moet één keer per jaar opnieuw gecontroleerd worden door een professionele servicetechnicus. De belangrijkste onderdelen die moeten worden gecontroleerd zijn de elektrische bedrading en de correcte werking van de veiligheidsvoorzieningen (veiligheidsthermostaten, contactors, enz.). Als het product niet regelmatig wordt gecontroleerd, kan de fabrikant niet aansprakelijk worden gesteld voor eventuele schade.

Belangrijke aanwijzingen

Lees deze gebruiksaanwijzing aandachtig en nauwkeurig door, omdat zij belangrijke informatie bevat over veiligheidsvoorzieningen, installatie en gebruik van het apparaat.

- Het product is alleen bedoeld om binnenshuis te worden gebruikt.
- Gebruik het apparaat nooit als de stroomtoevoer of stekker beschadigd is, als het niet juist werkt, het op de grond is gevallen en beschadigd of in het water is gevallen. Breng in dergelijke gevallen het apparaat naar een gespecialiseerde service om te controleren of het apparaat veilig is en correct werkt.
- Deze aanbevelingen zijn van toepassing op dit product of productlijn.
- Deze handleiding moet zorgvuldig bewaard worden voor toekomstig gebruik.
- Zorg ervoor dat kinderen het apparaat niet kunnen bedienen.
- Wanneer u hebt apparaat verkocht of verplaatst, zorg er dan voor dat de persoon die het apparaat bedient of er de service van doet, bekend is met het gebruik en de installatie-instructies in de bijgevoegde handleiding.
- Het product mag uitsluitend worden bediend door een persoon die bekend is met deze gebruiksaanwijzingen.
- Het ingeschakelde apparaat niet zonder toezicht laten werken.
- Wij bevelen aan om het apparaat minimaal 2x per jaar een gespecialiseerde controle en onderhoudsbeurt te geven.
- Gebruik uitsluitend originele onderdelen bij eventuele reparatie of vervanging van onderdelen.
- Het apparaat mag niet schoongemaakt worden met een waterstraal of een hogedrukreiniger.
- Bij storingen of wanneer het apparaat niet goed werkt alle leidingen (water, stroom, gas) afsluiten en contact opnemen met de geautoriseerde service.
- De producent is niet aansprakelijk voor storingen die zijn veroorzaakt door incorrecte installatie, het niet in acht nemen van bovengenoemde aanbevelingen, gebruik dat niet in overeenstemming is met de

Plaatsing

De volgende richtlijnen in overeenstemming met de normen TPG G 704 01, ČSN 127040 en ČSN 127010 moeten in acht worden genomen voor de juiste werking en opstelling van het apparaat.

Pak het apparaat uit een controleer of het tijdens het transport niet is beschadigd. Plaats het apparaat op een horizontale oppervlakte (de maximale oneffenheid mag maximaal 2° bedragen). Kleine oneffenheden kunnen worden opgevangen met de stelvoeten.

Als het apparaat zodanig geplaatst is dat het in contact komt met de wanden van het meubilair, dan moeten deze bestand zijn tegen temperatuur tot 60 °C. Installatie, afstelling en inbedrijfstelling moet door een gekwalificeerd persoon uitgevoerd worden die bevoegd is voor deze handelingen in overeenstemming met de toepasselijke normen.

Het apparaat kan afzonderlijk worden geïnstalleerd of in serie met door ons geproduceerde apparaten. Er moet een minimale afstand van 10 cm tot brandbare materialen aangehouden worden. In dit geval is het ook noodzakelijk de nodige aanpassingen uit te voeren om de warmte-isolatie van de brandbare onderdelen te waarborgen.

Het apparaat mag alleen worden geïnstalleerd op een onbrandbare ondergrond of tegen een onbrandbare wand.

De kleinste vereiste luchtstroming vanuit de buitenruimte voor de apparaten van versie A ligt in het bereik van 5-20 m³/h, afhankelijk van het type apparaat. Het hangt af van de installatievoorschriften van het land van bestemming.

De door de fabrikant of zijn vertegenwoordiger beveiligde onderdelen van het apparaat mag de persoon die de installatie van het product doet, niet wijzigen.

Installatie

Belangrijk:

De fabrikant verleent geen garantie voor storingen die zijn ontstaan als gevolg van oneigenlijk gebruik, het niet in acht nemen van de instructies in bijgevoegde gebruikershandleiding en verkeerde hantering van het apparaat.

Installatie-, aanpassings- en reparatiewerkzaamheden op het apparaat voor grote keukens, evenals hun demontage als gevolg van mogelijke schade aan de gastoevoer, kunnen alleen worden uitgevoerd op basis van een onderhoudscontract. Dit contract kan met een geautoriseerde verkoper afgesloten worden, met inachtneming van de technische voorschriften en normen en voorschriften betreffende installatie, elektrische toevoerleidingen, gasaansluiting en arbeidsveiligheid.

Technische instructies voor installatie en afstelling zijn **UITSLUITEND** bestemd om door gespecialiseerde technici te worden gebruikt.

De volgende instructies zijn bestemd voor een technicus die de juiste kwalificaties bezit voor de installatie, om te verzekeren dat hij alle handelingen op de juiste manier en in overeenstemming met de geldende normen kan uitvoeren.

Iedere handeling die te maken heeft met onder andere regulatie, moet worden uitgevoerd terwijl het apparaat is losgekoppeld van de stroomvoorziening. Indien het apparaat toch onder spanning moet staan, dient u de grootst mogelijke voorzichtigheid in acht te nemen.

Het type apparaat voor de uitvoering van afzuiging staat vermeld op het typeplaatje, dit zijn de apparaten van het type A1.

Veiligheidsvoorzieningen in verband met brandpreventie conform ČSN 061008 art. 21

- het apparaat mag uitsluitend door volwassenen bediend worden
- het apparaat kan veilig gebruikt worden in overeenstemming van de volgende normen:
ČSN 33 2000-4-482: Brandbeveiliging in gebieden met een speciaal risico of gevaar
ČSN 33 2000-4-42: Bescherming tegen invloeden van warmte
- het apparaat moet zo worden geplaatst dat het stevig staat of hangt op een vuurbestendige ondergrond
Op of naast het apparaat mogen zich geen brandbare voorwerpen bevinden binnen de veilige afstand die voor het apparaat is vastgesteld (de kleinste afstand tot brandbare materialen bedraagt 10 cm).

Tabel: De mate van brandbaarheid van bouwmaterialen (ČSN 730823) weergegeven per substantie en product

Mate van brandbaarheid	Bouwmaterialen
A – niet brandbaar	Graniet, zandsteen, beton, baksteen, keramische bekleding, pleisterwerk
B – heel moeilijk brandbaar	Acuminiet, heracliet, lihnos, itaver
C1 – moeilijk brandbaar	Hout, loofhout, fineer, sirkoklit, verstevigd papier, umakart
C2 – gemiddeld brandbaar	Spaanplaat, solodur, kurkplaat, harde rubber, vloerbedekking
C3 – zeer brandbaar	Vezelplaat, polystyreen, polyurethaan, PVC

- Informatie over mate van brandbaarheid van gewone bouwmaterialen staan in de tabel hieronder. Installeer het apparaat op veilige wijze. Neem bij de installatie de voorschriften voor ontwerp, veiligheid en arbeidshygiëne in acht overeenkomstig:
 - ČSN 06 1008 brandveiligheid van lokale apparaten en warmtebronnen
 - ČSN 33 2000-4-482 brandbeveiliging in gebieden met een speciaal risico of gevaar
 - ČSN 33 2000-4-42 bescherming tegen invloeden van warmte

Aansluiting van de elektrische kabel op het elektriciteitsnet

De aansluiting op het elektriciteitsnet - de voedingskabel moet zelfstandig beveiligd worden. Namelijk door de toepassing van een zekering voor nominale stroom, afhankelijk van het aansluitvermogen van het geïnstalleerde apparaat. Controleer het aansluitvermogen van het apparaat op het typeplaatje dat zich op het achterpaneel (of zijkant) van het apparaat bevindt.

De aangesloten aardkabel moet langer zijn dan de andere kabels. Sluit het apparaat direct op het elektriciteitsnet aan. Het is absoluut noodzakelijk om tussen het apparaat en het elektriciteitsnet een schakelaar te monteren die minimaal 3 mm van het enkelvoudige contact is verwijderd en die voldoet aan de geldende normen en belastingen. De aardkabel (geelgroen) mag niet door deze schakelaar worden onderbroken. Als het apparaat bedoeld is voor aansluiting in het stopcontact, sluit dit aan op het elektriciteitsnet als het stopcontact van een overeenkomstige zekering voorzien is.

De voedingskabel moet dusdanig worden bevestigd, dat hij op geen enkel punt warmer kan worden dan 50 °C boven de omgevingstemperatuur. Voordat u het apparaat aansluit op het elektriciteitsnet moet u controleren of:

- de voedingszekering en de stroomverdeler de stroombelasting van het apparaat verdragen (zie het matrixplaatje),
- het distributiepaneel is uitgerust met een aarding volgens de normen (ČSN) en de wettelijke voorschriften
- het stopcontact of de schakelaar in de voeding goed bereikbaar zijn vanaf het apparaat
- elektrische voedingleiding naar het apparaat moet gemaakt zijn van oliebestendig materiaal

We zijn niet aansprakelijk wanneer deze normen en de bovengenoemde principes niet in acht worden genomen.

Maak voor het eerste gebruik het apparaat schoon, zie het hoofdstuk „Reiniging en onderhoud“. Het apparaat moet geaard worden met behulp van de schroef met een aardingsmarkering.

- Dit label geeft het aardingspunt van het apparaat aan
- Steek de stekker van de voedingskabel niet in het stopcontact en trek ze niet uit het stopcontact met natte handen en door aan de voedingskabel te trekken!
- Gebruik geen verlengsnoeren of blok contactdozen.
- Het aansluitpunt van het net moet maximaal de ondervermelde impedantie Z_{MAX} conform ČSN EN 61000-3-11:2001 hebben. $Z_{MAX} = 0,042 + j 0,026 \Omega$ voor fasegeleiders en $0,028 + j 0,017 \Omega$ voor nulgeleider



- Dit label geeft het risico van een elektrische schok aan

GEBRUIKSAANWIJZING

Opgelet! Voordat u het apparaat gebruikt, moet u de beschermende folie van het gehele oppervlak verwijderen, het vervolgens goed met water en afwasmiddel wassen en daarna met een vochtige doek afnemen.

Laat het apparaat in werking nooit zonder toezicht! Schakel het apparaat nooit in zonder olie of als de olie zich onder het gemarkeerde minimum olieniveau bevindt, anders bestaat er brandgevaar of het risico van beschadiging van het apparaat.

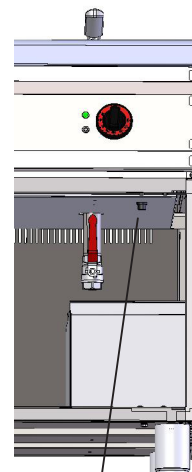
Als het apparaat vervuild is of langdurig gebruikt, bestaat het risico dat de olie overloopt. Vul de frituurmand tot max. 1,5 cm onder de bovenste rand.

Als de veiligheidsthermostaat uitvalt, schroef dan het deksel van de thermostaat aan de onderkant van de elektrische box los en druk op de zwarte knop om de thermostaat in te schakelen. Als de thermostaat vaak uitvalt, neem dan contact op met de servicedienst om de bedrijfstemperaturen te controleren.

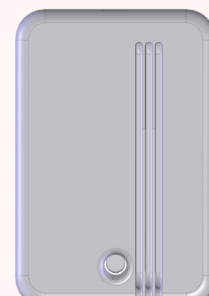
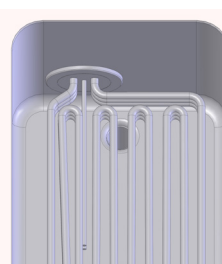
Vul het apparaat met frituurolie niet hoger dan de max. lijn op de zijkant. Stel met behulp van de knop (D) de gewenste temperatuur binnen een bereik van 90-190 °C in. De controlelampjes (B) en (C) lichten op. Het controlelampje (B) brandt als het apparaat onder stroom staat. Het controlelampje (C) brandt als de warmtespiralen in werking zijn. Het controlelampje (C) gaat uit als het apparaat de ingestelde temperatuur heeft bereikt. Schakel het apparaat uit door de knop (D) naar de positie "0" te draaien.

Opmerkingen en aanbevelingen

Controleer altijd het olieniveau, gebruik het apparaat nooit zonder olie. Gebruik voor het frituren uitsluitend frituuroliën. Gebruik nooit geharde vetten om te frituren, dit kan het apparaat beschadigen. Als u geharde vetten gebruikt, kan geen garantie worden gegeven bij schade van het apparaat! Gebruik het apparaat uitsluitend onder toezicht.



Access to safety thermostat



DE BAK LEEGMAKEN

Maak de oliebak leeg als de olie koud is en het apparaat ontkoppeld van stroomtoevoer. De gebruiker moet een geschikte verzamelbak voor het aftappen van olie ter beschikking hebben. Deze verzamelbak moet gemaakt zijn uit hittebestendig materiaal en moet zo staan dat de olie niet kan spetteren en dus geen gevaar oplevert. Bij friteuses van de serie 900 wordt de olie afgetapt in een olieverzamelbak geplaatst aan de onderkant van het apparaat. Draai de hendel naar de positie gemarkeerd met de open kraan.

REINIGING EN ONDERHOUD

Het apparaat moet ten minste 2x per jaar door een gespecialiseerde service gecontroleerd worden. Alle ingrepen aan het apparaat mogen slechts door een gekwalificeerd persoon worden uitgevoerd, die daartoe bevoegd is.

OPGELET! Het apparaat mag niet schoongemaakt worden met een directe waterstraal of met een hogedrukreiniger. Maak het apparaat elke dag schoon. Dankzij het dagelijks onderhoud bent u verzekerd van een lange levensduur en de efficiëntie van het apparaat. Controleer voordat u begint met schoonmaken of het apparaat is losgekoppeld van het elektriciteitsnet. Onderbreek altijd de stroomvoorziening van het apparaat. Maak de elementen van roestvrijstaal schoon met een vochtige doek en een klein beetje schoonmaakmiddel zonder schurende deeltjes en droog met een doek. Gebruik geen schurende of corrosieve schoonmaakmiddelen.

Opgelet! Voordat u het apparaat gebruikt, moet u de beschermende folie van het gehele oppervlak verwijderen, het vervolgens goed met water en schoonmaakmiddel wassen en daarna met een vochtige doek afnemen.

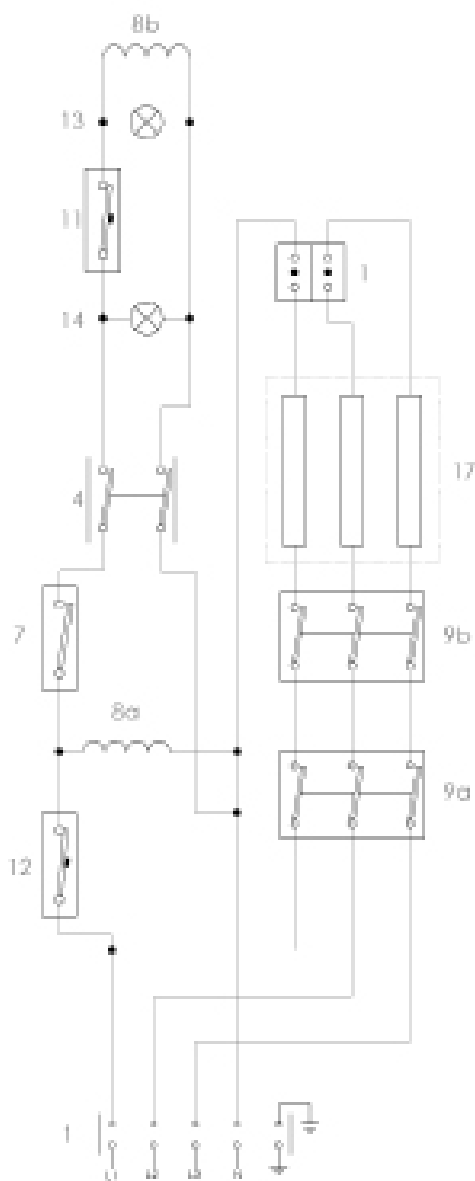
Maatregelen bij storingen Onderbreek de stroom-/gasvoorziening en neem contact op met de serviceafdeling van de verkoper.





De garantie dekt niet alle verbruiksartikelen die onderhevig zijn aan normale slijtage (rubber dichtingen, lampjes, glazen en plastic onderdelen enz.). De garantie strekt zich ook niet uit over apparaten die niet zijn geïnstalleerd door bevoegde personen in overeenstemming met de instructies in de gebruiksaanwijzing en de van toepassing zijnde normen en indien het apparaat onjuist is behandeld (ingrepen in binnenapparatuur enz.) of indien het apparaat bediend is door ongetraind personeel en in de strijd met de gebruiksaanwijzing. Verder dekt de garantie geen schade veroorzaakt door natuurlijke verschijnselen of andere externe invloeden.

De transportverpakkingen en apparaten moeten aan het einde van hun levensduur aan een inzamelplaats overhandigd worden, in overeenstemming met de voorschriften voor afval en gevaarlijk afval beheer.

EL. CONNECTION DIAGRAM / SCHALTPLAN / SCHÉMA DU ELECTRIQUE

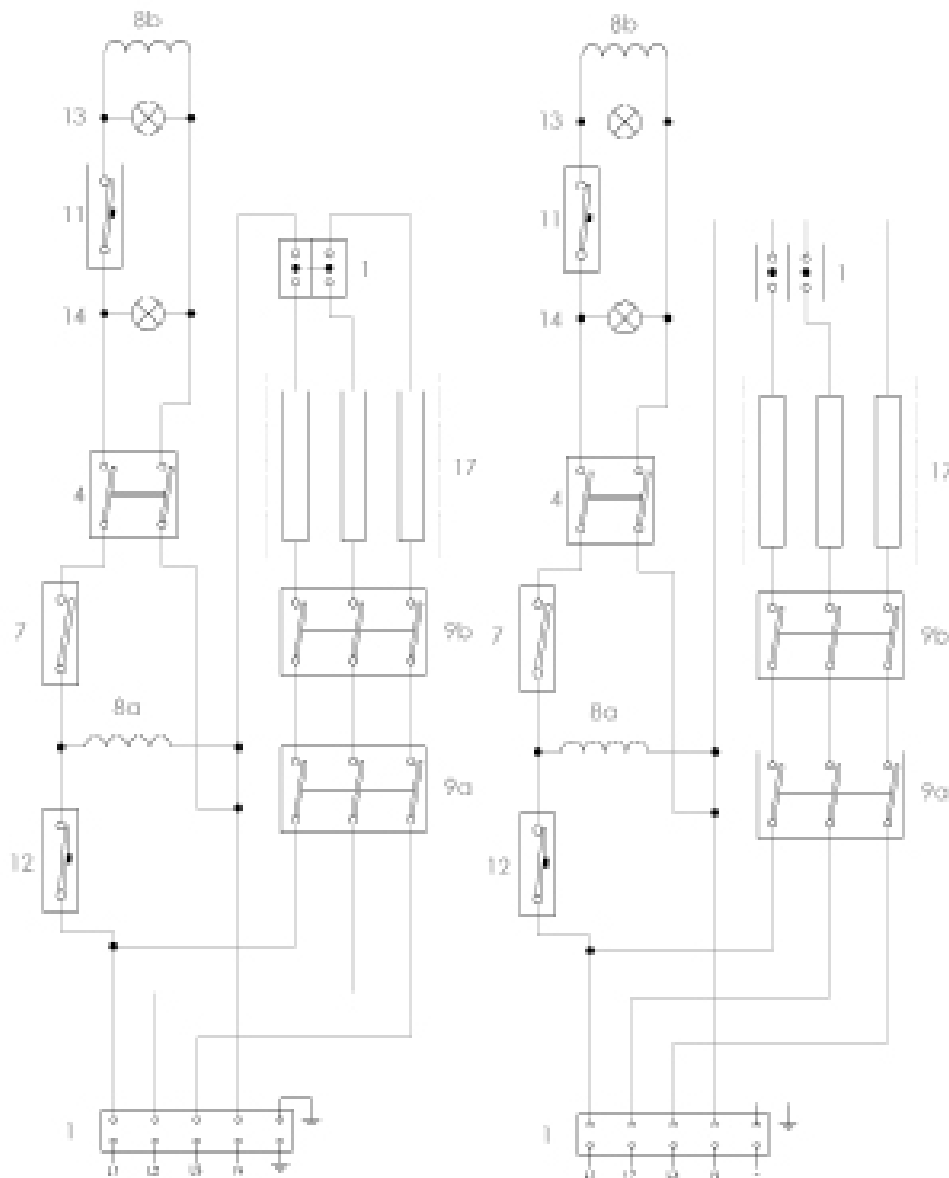
FE 90/40 - 17 E








	 ENGLISH	  DEUTSCH	 FRANÇAIS
1	TERMINAL BOARD	KLEMMSBRETT	BORNIER
7	MICROSWITCH	MICROSCHALTER	MICRO-INTERRUPTEUR
2	MAIN SWITCH	SCHALTER	INTERRUPTEUR
12	SAFETY THERMOSTAT 230 °C	SICHERHEITSTHERMOSTAT 230 °C	THERMOSTAT DE SÉCURITÉ 230 °C
14	GREEN WARNING LIGHT	GRÜN KONTROLLEUCHT	VOYANT VERTE
11	THERMOSTAT	THERMOSTAT	THERMOSTAT
13	ORANGE WARNING LIGHT	ORANGE KONTROLLEUCHT	VOYANT ORANGE
8	RELAY	RELAIS	RELAIS
17	HEATING ELEMENT	HEIZELEMENT	RÉSISTANCE DE CHAUFFAGE
10	CONTACT OF RELAY	RELAISKONTAKT	RELAIS CONTACT

EL. CONNECTION DIAGRAM / SCHALTPLAN / SCHÉMA DU ELECTRIQUE

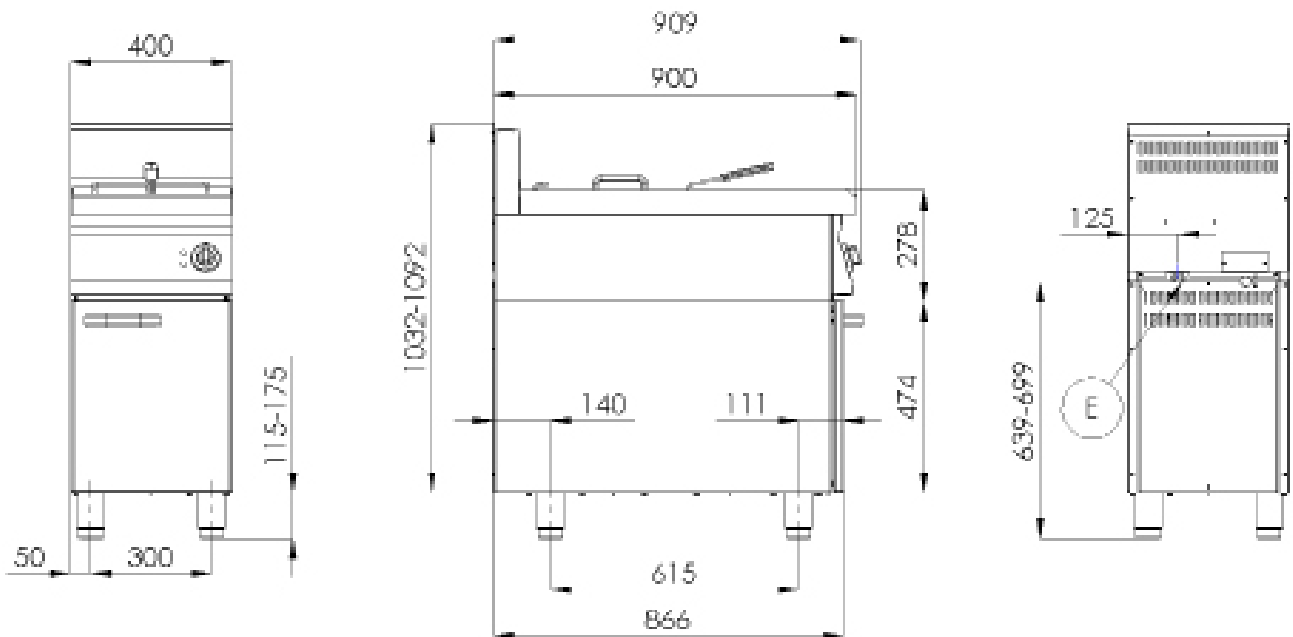
FE 90/80 - 17 E



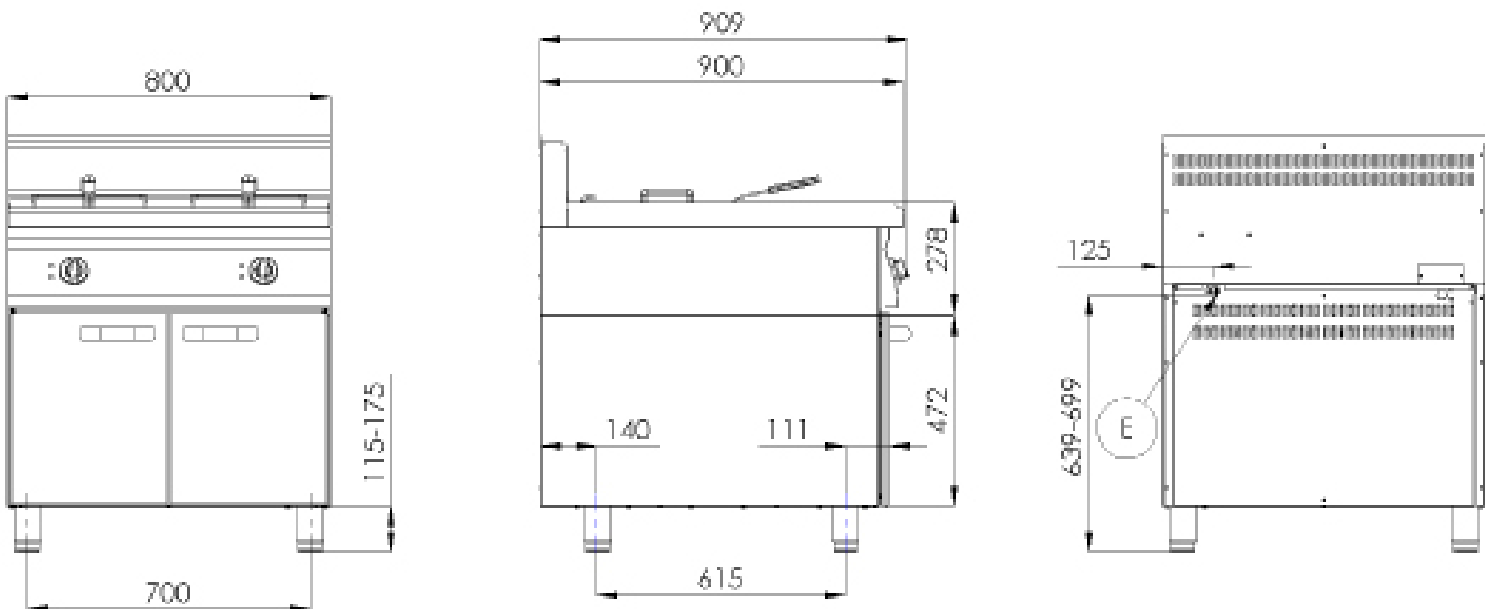
	 ENGLISH	  DEUTSCH	  FRANÇAIS
1	TERMINAL BOARD	KLEMMSBRETT	BORNIER
7	MICROSWITCH	MICROSCHALTER	MICRO-INTERRUPTEUR
2	MAIN SWITCH	SCHALTER	INTERRUPTEUR
12	SAFETY THERMOSTAT 230 °C	SICHERHEITSTHERMOSTAT 230 °C	THERMOSTAT DE SÉCURITÉ 230 °C
14	GREEN WARNING LIGHT	GRÜN KONTROLLEUCHT	VOYANT VERTE
11	THERMOSTAT	THERMOSTAT	THERMOSTAT
13	ORANGE WARNING LIGHT	ORANGE KONTROLLEUCHT	VOYANT ORANGE
8	RELAY	RELAIS	RELAIS
17	HEATING ELEMENT	HEIZELEMENT	RÉSISTANCE DE CHAUFFAGE
10	CONTACT OF RELAY	RELAISKONTAKT	RELAIS CONTACT

DIMENSION PLANS / MASSSKIZZEN / DIMENSIONS

FE 90/40 - 17 E



FE 90/80 - 17 E



PROHLÁŠENÍ O SOULADU S NORMAMI

Výrobce prohlašuje, že přístroje splňují základní požadavky směrnice 2014/30/EU (nařízení vlády č. 117/2016 Sb.) a požadavky směrnice 2014/35/EU (nařízení vlády č. 118/2016 Sb.).

Pozor, výrobce se vzdává jakékoli odpovědnosti v případě přímých i nepřímých poškození, které se vztahují ke špatné instalaci, nesprávným zásahem nebo úpravami, nedostatečnou údržbou, nesprávným používáním, a které jsou eventuálně způsobeny jinými příčinami, jež uvádí body uvedené v podmínkách prodeje. Tento spotřebič je určen pouze pro odborné používání a musí být obsluhován kvalifikovanými osobami. Části, které byly po nastavení zajištěny výrobcem nebo pověřeným pracovníkem, nesmí uživatel přestavovat.

TECHNICKÁ DATA

Typ výrobku	Příkon (kW) / Napětí (V)	Objem (l)	Rozměr výrobku (mm)
FE -90/40-17 E	13,5 / 400 V	17	800x900x900
FE -90/80-17 E	2 x 13,5 / 400 V	2 x 17	800x900x900

KONTROLA OBALU A ZAŘÍZENÍ

Zařízení opouští naše sklady v řádném obalu, na kterém jsou odpovídající symboly a označení. V obalu se nachází odpovídající návod k obsluze. Jestliže by obal měl vykazovat špatné zacházení, známky poškození, musí se okamžitě reklamovat u přepravce a to sepsáním a podepsáním protokolu o škodě. Na pozdější reklamace nebude brán zřetel.

Důležité upozornění

Tento návod musí být řádně a pozorně přečten, protože obsahuje důležité informace o bezpečnostních prvcích, instalaci a použití.

Výrobek musí být jednou ročně překontrolován odborným servisem. Hlavními částmi pro kontrolu jsou elektrické rozvody a správná funkčnost bezpečnostních prvků (pojistné termostaty, stykače atd.). V případě, že produkt není zkontrolován v pravidelných intervalech, výrobce se vzdává odpovědnosti za případné vzniklé škody.

- Výrobek je určen pouze k používání ve vnitřních prostorách.
- Nikdy spotřebič nepoužívejte, pokud má poškozený napájecí přívod nebo vidlici, pokud nepracuje správně, upadl na zem a poškodil se nebo spadl do vody. V takových případech zanechte spotřebič do odborného servisu k prověření jeho bezpečnosti a správné funkce
- Tato doporučení se vztahují na tento výrobek, nebo produktovou linii.
- Tento návod se musí řádně uschovat pro budoucí použití.
- Zabraňte dětem manipulovat s přístrojem.
- Při prodeji nebo přemístění je nutno se přesvědčit, že obsluha nebo odborný servis se seznámil s ovládaním a instalačními pokyny v přiloženém návodu.
- Výrobek smí obsluhovat pouze obsluha, která se seznámila s tímto návodem k použití.
- Nesmí být spuštěn bez dozoru.
- Doporučuje se kontrola odborným servisem minimálně 1x ročně.
- Při eventuální opravě nebo výměně dílů musí být použity originální náhradní díly.
- Výrobek se nesmí čistit proudem vody nebo tlakovou sprchou.
- Při poruše nebo špatném chodu výrobku je nutné odpojit veškeré přívody (voda, elektřina, plyn) a zavolat autorizovaný servis.
- Výrobce se vzdává jakékoli zodpovědnosti při poruchách způsobenými chybnou instalací, nedodržením shora uvedených doporučení, jiným užíváním apod.
- Přístroj se smí používat pouze k účelu, ke kterému je určený, jiné použití je zakázané a může vést ke vzniku nebezpečí či úrazu
- Musí být zajištěno nejpřísnější dodržování pravidel protipožární ochrany
- Za provozu a krátce po něm jsou některé části spotřebiče horké
- Je zakázáno se během provozu dotýkat jiných částí spotřebiče, než ovládacích prvků k tomu určených
- Při používání přepáleného oleje hrozí jeho přehřátí a následné překypění, či vzplanutí
- Je zakázáno používat fritézu bez dohledu
- Je zakázáno doplňování oleje, v případě, že je fritéza zahřátá
- Je zakázáno používání hořlavých rozpouštědel a čistících prostředků
- Je zakázáno spouštět spotřebič, pokud je hladina oleje pod ryskou minima, nebo naopak nad ryskou maxima varné nádoby
- Je zakázáno vkládání vlhkých potravin nebo nalévání vody do horkého oleje nebo tuku. Hrozí nebezpečí popálení

UMÍSTĚNÍ

Ke správné činnosti a umístění spotřebiče je nutné dodržet veškeré předepsané nařízení a zákony dané země.

Rozbalte přístroj a zkontrolujte, zda se přístroj nepoškodil během přepravy. Umístěte přístroj na vodorovnou plochu (maximální nerovnost do 2°). Drobné nerovnosti lze vyrovnat regulovatelnými nožičkami.

Jestliže zařízení bude umístěno tak, že bude v kontaktu se stěnami nábytku, tyto musí odolávat teplotě až 60°C. Instalaci, seřízení, uvedení do provozu musí provést kvalifikovaná osoba, která má k takovýmto úkonům oprávnění a to dle platných norem.

Přístroj může být instalován samostatně nebo v sérii s přístroji naší výroby. Je nutno dodržovat minimální vzdálenost 10 cm od hořlavých materiálů. V tomto případě je nutné zabezpečit odpovídající úpravy, aby byla zabezpečena tepelná izolace hořlavých částí.

Spotřebič se musí instalovat pouze na nehořlavém povrchu nebo u nehořlavé stěny.

Nejmenší požadovaný průtok vzduchu z venkovního prostoru pro spotřebiče v provedení A je v rozmezí 5-20 m³/h, dle typu spotřebiče. Zaleží na instalačních předpisech pro danou zemi určení.

Součásti spotřebiče zajištěné výrobcem, nebo jeho zástupcem nesmí pracovník provádějící instalaci výrobku přestavovat.

Zařízení musí být instalováno ve vhodně větraném prostředí.

BEZPEČNOSTNÍ OPATŘENÍ Z HLEDISKA POŽÁRNÍ OCHRANY PODLE ČSN 061008 ČL. 21

- obsluhu spotřebiče smí provádět pouze dospělé osoby
- spotřebič smí být bezpečně používán v souladu s normami a zákony dané země.
- spotřebič je nutné umístit tak, aby stál nebo visel pevně na nehořlavém podkladu

Na spotřebič a do vzdálenosti menší než bezpečná vzdálenost od něho nesmějí být kladeny předměty z hořlavých hmot (nejmenší vzdálenost spotřebiče od hořlavých hmot je 10 cm).

Tabulka: stupeň hořlavosti stavební hmoty zařazené do st. hořlavosti hmot a výrobků

Stupeň hořlavosti	Stavební hmoty
A - nehořlavé	žula, pískovec, betony, cihly, keramické obkladačky, omítky
B - nesnadno hořlavé	akumin, heraklit, lihnos, itaver
C1 - těžce hořlavé	dřevo, listnaté, překližky sirkoklit, tvrzený papír, umakart
C2 - středně hořlavé	dřevotřískové desky, solodur, korkové desky, pryž, podlahoviny
C3 - lehce hořlavé	dřevovláknité desky, polystyrén, polyureten, PVC

• informace o stupni hořlavosti běžných stavebních hmot uvádí tabulka výše. Spotřebiče musí být instalovány bezpečným způsobem. Při instalaci musí být dále respektovány příslušné projektové, bezpečnostní a hygienické předpisy a zákony dané země.

INSTALACE

Důležité:

Výrobce neposkytuje žádnou záruku na závady, vzniklé v důsledku nesprávného používání, nedodržování instrukcí obsažených v příloženém návodu k použití a špatným zacházením se spotřebiči.

Instalaci, úpravy a opravy spotřebičů pro velkokuchyně, tak jako i jejich demontáž z důvodu možného poškození přívodu plynu, mohou být prováděny pouze na základě smlouvy o údržbě, tato smlouva může být uzavřena s autorizovaným prodejcem, přičemž musí být dodržovány technické předpisy a normy a předpisy týkající se instalace, elektrického přívodu, plynové přípojky a bezpečnosti práce.

Technické instrukce pro instalaci a seřízení, k použití POUZE pro specializované techniky.

Instrukce, které následují, se obrací k technikovi kvalifikovanému pro instalaci, aby provedl všechny operace způsobem co nejkorektnějším a podle platných norem.

Jakákoli činnost spojená s regulací apod. musí být vykonána pouze se zařízením odpojeným ze sítě. Je - li nutno udržovat spotřebič pod napětím je nutno dbát nejvyšší opatrnosti.

Typ spotřebiče pro provedení odtahu je deklarován na typovém štítku, jedná se o spotřebiče typu A1.

PŘIPOJENÍ ELEKTRICKÉHO KABELU DO SÍTĚ

Instalace elektrického přívodu - tento přívod musí být samostatně jištěn. A to odpovídajícím jističem jmenovitého proudu v závislosti na příkonu instalovaného přístroje. Příkon přístroje zkontrolujte na výrobním štítku na zadním panelu (či boku) přístroje.

Připojený zemnicí vodič musí být delší než ostatní vodiče. Přístroj připojte přímo na síť, je nezbytné vložit mezi spotřebič a síť vypínač s minimální vzdáleností 3 mm mezi jednotlivými kontakty, který odpovídá platným normám a zatížením. Přívod uzemnění (žlutozelený) nesmí tímto spínačem být přerušen. Přístroj určený pro připojení do zásuvky, připojte do sítě pokud má zásuvka odpovídající jištění.

V každém případě přívodní kabel musí být umístěn tak, že v žádném bodě nedosáhne teploty o 50 stupňů vyšší než prostředí. Než bude spotřebič připojen do sítě, je nutné se nejprve ujistit, že:

- přívodní jistič a vnitřní rozvod snesou proudové zatížení spotřebiče (viz štítek matrice)
- rozvod je vybaven účinným uzemněním podle norem a podmínek daných zákonem
- zásuvka nebo vypínač v přívodu jsou dobře přístupné od spotřebiče
- elektrický přívod do zařízení musí být z olejovzdorného materiálu

Vzdáváme se jakékoli zodpovědnosti v případě, že tyto normy nebudou respektovány a v případě porušení výše uvedených zásad.

Před prvním použitím musíte přístroj vyčistit viz. kapitola „čištění a údržba“. Spotřebič musí být uzemněn pomocí šroubu se značkou uzemnění.



- Tato etiketa označuje uzemňovací bod zařízení

NÁVOD K POUŽITÍ

Pozor! Než-li začnete přístroj používat, je nutné z celého povrchu sejmout ochranné fólie nerezového plechu, a pak jej dobře omýt vodou se saponátem na nádobí, a poté otřít vlhkým hadrem. Nikdy nenechte přístroj v chodu bez dozoru! Nikdy nezapínejte přístroj bez oleje nebo pokud je hladina oleje pod ryskou minima existuje nebezpečí požáru nebo poškození přístroje.

Pokud je olej znečištěn nebo jej používáte delší dobu hrozí překypění oleje. Fritovací koš plňte do maximální výše cca 1,5 cm pod horní okraj.

Pokud dojde k vypadnutí pojistného termostatu odšroubujte krytku termostatu na spodní straně el. boxu a zatlačte černý knoflík pro nahození termostatu. Pokud dochází často k vypadnutí poj. termostatu zavolejte servisní organizaci na kontrolu provozních teplot.

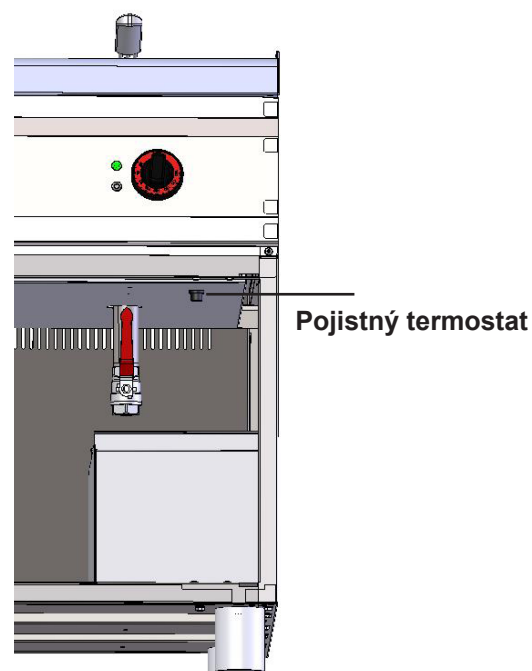
Naplňte přístroj olejem vhodným ke fritování až po rysku maxima na boční straně. Ovladačem (D) nastavte na vámi požadovanou teplotu v rozpětí 90 °C - 190 °C. Kontrolky (B) a (C) budou svítit. Kontrolka (B) svítí, když je přístroj pod el. proudem. Kontrolka (C) svítí, pokud jsou v chodu tepelné spirály. Kontrolka (C) zhasne, až je přístroj vyhřátý na nastavenou teplotu. Přístroj vypnete, když otočíte ovladačem (D) do polohy „0“.

Poznámky a doporučení

Neustále kontrolujte hladinu oleje, nikdy nepoužívejte přístroj bez oleje. Pro fritování používejte pouze oleje k fritování. **Nikdy nepoužívejte k fritování ztužené tuky, hrozí poškození zařízení . Při použití ztužených tuků nelze uplatňovat případnou záruku při poškození zařízení!** Používejte přístroj pouze pod dohledem.



- (B) Kontrolka zelená - zapnutí
- (C) Kontrolka bílá - vyhřátí
- (D) Knoflík regulační termostatu
- (E) Madlo víka
- (F) Madlo fritovacího koše



VYPUŠTĚNÍ VANY

Vanu vylévejte, pokud je olej chladný a přístroj je odpojen od elektrického proudu. Uživatel se musí vybavit vhodnou nádobou na vypouštění oleje z vany. Tato nádoba musí být z tepelně odolného materiálu a musí být postavena tak, že olej nebude stříkat a tím nebude způsobovat nebezpečí. U fritéz Linky 900 se vypouští olej do nádoby umístěné v podestavbě. Otočte pákou do polohy s označením otevřeného kohoutu.

ČIŠTENÍ A ÚDRŽBA

POZOR! Zařízení se nesmí čistit přímou nebo tlakovou vodou. Čistěte zařízení denně, odpojené od energie a vychladlé. Denní údržba prodlužuje životnost a účinnost zařízení. Před započatím čištění se přesvědčte, jestli jste odpojili zařízení od elektrického proudu. Vždy vypněte hlavní přívod k zařízení. Nerezové části omyjte vlhkým hadrem se saponátem bez hrubých částec, poté vše otřete do sucha, zejména okolí regulačního knoflíku, hlavního vypínače, kabelové průchodky, přívodní kabel, mikrospínače a dosedací lišty. Nepoužívejte abrasivní nebo korosivní čisticí prostředky. Čištění topných těles - vytáhněte box s topnými tělesy. Topná tělesa čistěte pouze vlhkým hadrem.

JAK POSTUPOVAT V PŘÍPADĚ PORUCHY

Vypněte elektrický přívod a zavolejte servisní organizaci prodejce.

UPOZORNĚNÍ

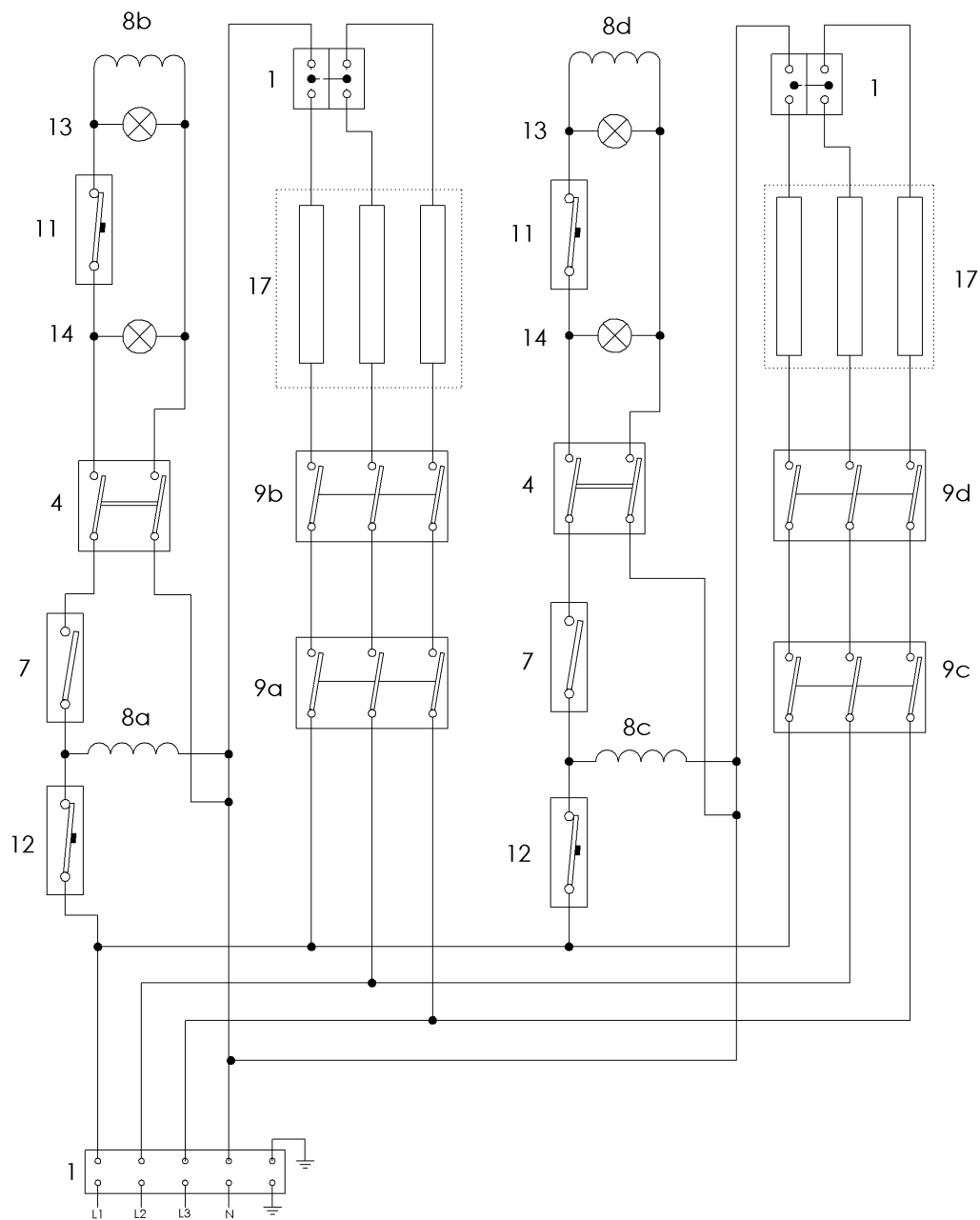
Záruka se nevztahuje na všechny spotřební díly podléhající běžnému opotřebení (gumová těsnění, žárovky, skleněné a plastové díly atd.) a díly vyžadující pravidelné seřízení (např. termostaty). Záruka se též nevztahuje na zařízení pokud není provedena instalace v souladu s návodem – oprávněným pracovníkem dle odpovídajících norem a pokud bylo se zařízením neodborně manipulováno (zásahy do vnitřního zařízení) nebo bylo obsluhováno nezaškoleným personálem a v rozporu s návodem k použití, dále se záruka nevztahuje na poškození přírodními vlivy či jiným vnějším zásahem a při nedodržování zásad pravidelného čištění a údržby.

ZPŮSOB VYUŽITÍ A LIKVIDACE ODPADŮ:

Obal zařízení prodejte sběrným surovinám, přebalové folie dejte do sběrných kontejnerů na plasty. Zařízení po ukončení životnosti odevzdejte do sběru, dle předpisů a o nakládání s odpadem a nebezpečným odpadem.

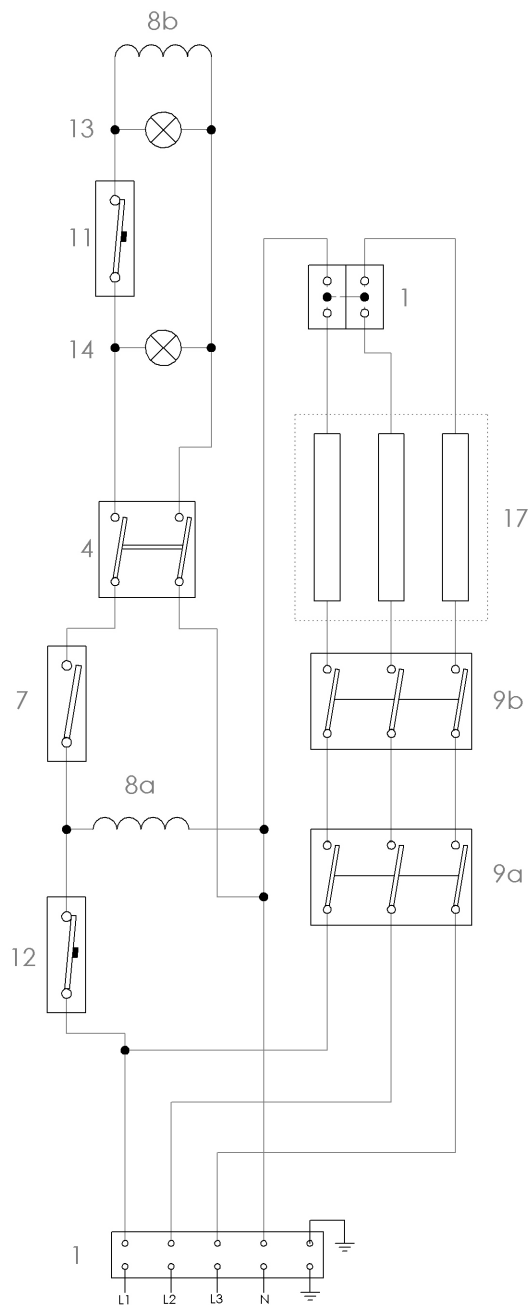
SCHÉMA ZAPOJENÍ:

FE-90/80-17 E 400V_3N



1- SVORKOVNICE	17- TOPNÉ TĚLESO
2- VYPÍNAČ O/I	18- PLOTÝNKA
3- VYPÍNAČ PROSVĚTLENÝ O/I	19- TRANSFORMÁTOR
4- PŘEPÍNAČ OTOČNÝ	20- POJISTKA
5- TLAČÍTKOVÝ SPÍNAČ	21- RHEOSTAT
6- KONCOVÝ SPÍNAČ	22- TERMOČLÁNEK
7- MIKROSPÍNAČ	23- ČIDLO
8- RELÉ	24- MOTOR ZDVIHU
9- KONTAKTY RELÉ	25- MOTOR VENTILÁTRU
10- ČASOVÝ SPÍNAČ	26- KONDENZÁTOR ROZBĚHOVÝ
11- TERMOSTAT PRACOVNÍ	27- ZAPALOVACÍ SVÍČKA
12- TERMOSTAT POJISTNÝ	28- PLYNOVÝ VENTIL (SIT)
13- KONTROLKA ORANŽOVÁ	29- ZÁSUVKA
14- KONTROLKA ZELENÁ	30- DIGITÁLNÍ TEPLMĚR
15- DIODA	31- ŘÍDÍCÍ JEDNOTKA
16- VNITŘNÍ OSVĚTLENÍ	

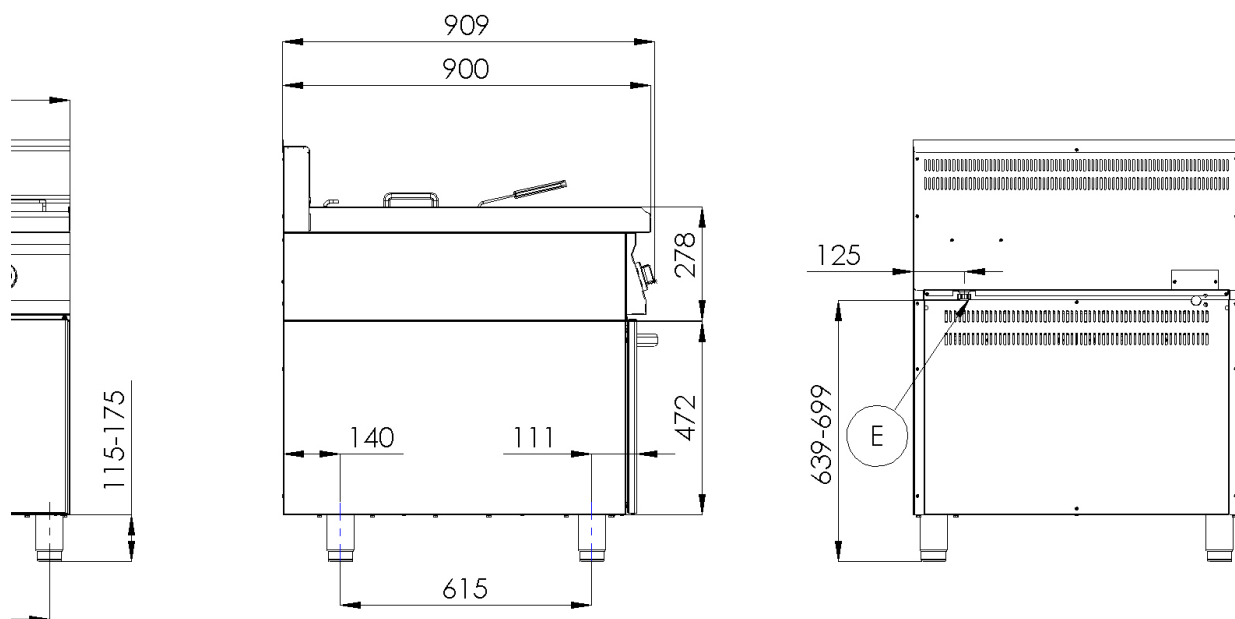
FE-90/40-17 E 400V_3N



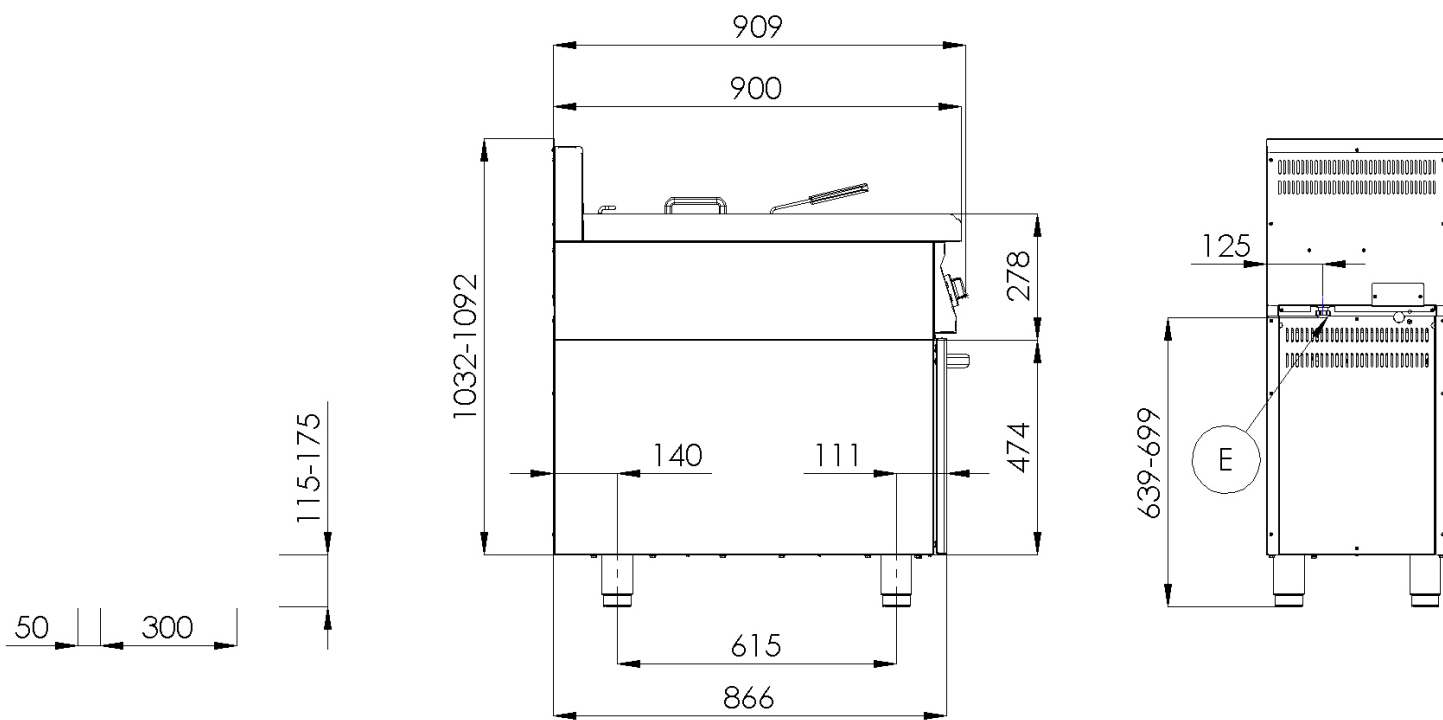
1- SVORKOVNICE	17- TOPNÉ TĚLESO
2- VYPÍNAČ O/I	18- PLOTÝNKA
3- VYPÍNAČ PROSVĚTLENÝ O/I	19- TRANSFORMÁTOR
4- PŘEPÍNAČ OTOČNÝ	20- POJISTKA
5- TLAČÍTKOVÝ SPÍNAČ	21- RHEOSTAT
6- KONCOVÝ SPÍNAČ	22- TERMOČLÁNEK
7- MIKROSPÍNAČ	23- ČIDLO
8- RELÉ	24- MOTOR ZDVIHU
9- KONTAKTY RELÉ	25- MOTOR VENTILÁTROU
10- ČASOVÝ SPÍNAČ	26- KONDENZÁTOR ROZBĚHOVÝ
11- TERMOSTAT PRACOVNÍ	27- ZAPALOVACÍ SVÍČKA
12- TERMOSTAT POJISTNÝ	28- PLYNOVÝ VENTIL (SIT)
13- KONTROLKA ORANŽOVÁ	29- ZÁSUVKA
14- KONTROLKA ZELENÁ	30- DIGITÁLNÍ TEPLMĚR
15- DIODA	31- ŘÍDÍCÍ JEDNOTKA
16- VNITŘNÍ OSVĚTLENÍ	

ROZMĚROVÝ OBRÁZEK

E



E



ERKLÆRINGEN OM KOMPATIBILITET MED NORMER

Producenten erklærer, at anlæggene er i kompatibilitet med forskrifter 2014/30/EU, 2014/35/EU lov nr. 117/2016sb., nr. 118/2016 sb. og tilhørende regeringens forordninger. Installationen skal udføres med hensyn til de gældende normer. Læg mærke til, at producenten fraskriver sig ethvert ansvar i tilfælde af både direkte og indirekte skader, der har forbindelse med en forkert installation, et ukorrekt indgreb eller ændringer, utilstrækkelig vedligeholdelse, ukorrekt brug og skader, der er forårsaget af andre årsager end de anførte punkter, som er anført i salgsbetingelser. Anlægget er beregnet udelukkende til fagbrug og skal betjenes af kvalificerede personer. Dele, der blev sikret af producenten eller en bemandet medarbejder efter installationen, må ikke ombygges af brugeren.

TEKNISKE DATA

Typepladen med tekniske data befinder sig på det bagerste del af anlægget. Læs grundigt det elektriske tilslutningsskema og alle følgende informationer før installationen.

TYPE	DIMENSIONER (CM)	STRØMFORBRUG (kW) / SPÆNDING(V/Hz)	VOLUMEN (l)
FE 90/40 - 17 E	400 x 900 x 900	13,5 kW/400V/3N/50Hz	17
FE 90/80 - 17 E	800 x 900 x 900	2 x 13,5 kW/400V/3N/50Hz	2 x 17

KONTROL AF PAKNINGEN OG ANLÆGGET

Anlægget forlader vores lager i en forsvarlig pakning, på hvilken befinder sig tilsvarende symboler og markeringer. I pakningen befinder sig en tilsvarende betjeningsvejledning. Hvis pakningen viser tegn på en dårlig behandling, skal den reklameres øjeblikkeligt hos transportøren og man skal skrive og underskrive en protokol om beskadigelsen.

Produktet skal efterses en gang om året af en professionel servicetekniker. De vigtigste dele, der skal kontrolleres, er de elektriske ledninger og den korrekte funktion af sikkerhedsfunktionerne (sikkerhedstermostater, kontaktorer osv.). Hvis produktet ikke kontrolleres med jævne mellemrum, fraskriver producenten sig ansvaret for eventuelle skader.

Vigtig varsel:

- Produktet er bestemt alene til brugt i indre områder.
- Brug aldrig apparatet hvis det har skaden på strømforsyningen eller på gaffel, hvis det ikke fungerer korrekt, har faldet til jorden og er skadet eller faldt i vandet. I sådanne tilfælde lever apparatet i serviceafdelingen med hensyn til sikkerhed og korrekt funktion.
- vejledningen skal læses grundigt og omhyggeligt, da den indeholder vigtige informationer om sikkerhedselementer, installation og brug
- disse anbefalinger har forbindelse med dette produkt
- produktet svarer til gældende normer
- vejledningen skal gemmes omhyggeligt til fremtidigt brug
- børn må ikke gøre brug af anlægget
- ved salg eller omplacering skal man sikre sig, at betjeningen eller den faglige service har stiftet bekendskab med betjenings- og installationsanvisninger i den vedlagte vejledning
- produktet skal betjenes udelukkende af en fagkyndig person
- det må ikke forlades uden opsyn
- det anbefales, kontrol 1 gang om året
- ved eventuel reparation eller udskiftning af dele skal der bruges originale reservedele
- produktet må ikke renses med vandstrøm eller med trykbruser
- ved fejl eller forkert drift af produktet er det nødvendigt at afkoble alle tilslutninger (vand, elektricitet, gas) og tilkalde autoriseret service
- producenten fraskriver sig et enhver ansvar ved fejl forårsaget af en forkert installation, samt forkert brug af produktet.

INSTALLATION

Tekniske instruktioner for installationen og reguleringen

Til brug UDELUKKENDE for specialiserede teknikere. Følgende instruktioner henvender sig til en tekniker, der er kvalificeret til installation, og som skal udføre alle operationer på den måde, der er mest korrekt og ifølge de gældende normer.

Vigtigt

Enhver aktivitet i forbindelse med reparationen må kun udføres når anlægget er koblet af nettet.

Hvis det er nødvendigt at reparere anlægget med spænding, skal man arbejde yderst omhyggeligt.

PLACERING

Til reguleringen af anlæggets brug er det helt nødvendigt, at køkkenets omgivelser, hvor anlægget skal installeres, er godt udluftet (med hensyn til dette: teknikeren skal følge de gældende normer). Hvis anlægget placeres, så det er i kontakt med møblernes vægge, skal disse modstå temperaturer op til 60°C. Installationen, afbalanceringen og opstarten skal udføres af en kvalificeret person, der er berettiget til disse aktiviteter, og ifølge de gældende normer for installation af anlægget.

Udpak anlægget og kontroller, at det er uskadt efter transporten. Placer anlægget på en vandret flade (maksimal ujævnhed inden for 2°). Placer anlægget under en emhætte, så vanddampen og lugten bliver elimineret.

Anlægget kan installeres selvstændigt eller i serien med anlæggene af vores produktion. Det er nødvendigt at overholde en minimum distance på 10 cm fra andre genstande, og man skal forebygge kontakt af anlægget med brandbare materialer. I dette tilfælde skal man sikre tilsvarende ændringer, så at der er sikret varmeisolleringen af de brandbare dele.

TILSLUTNINGEN AF ELEKTRISK KABEL TIL NETTET

Installationen af den elektriske tilførsel – Tilførslen skal sikres selvstændigt, med en tilsvarende afbryder af nominalstrømmen afhængig af strømforbrug af det installerede anlæg. Anlæggets strømforbrug kontrolleres på typepladen på den bagerste del af anlægget. Anlægget tilsluttes direkte til nettet. Det er nødvendigt at installere en kontakt mellem anlægget og nettet med en minimum distance på 3 mm mellem de enkelte kontakter, og som svarer til gældende normer og belastninger. Jordtilførsel (gulgrøn) må ikke afbrydes med denne kontakt.

I hvert fald skal tilførselskablet placeres sådan, at det på intet punkt opnår temperaturen som er 50 grader højere end omgivelsestemperatur. Før man tilslutter anlægget til nettet, skal man sikre sig, at:

- tilførselsafbryderen og den indre kreds kan tåle anlæggets belastning (se typeplade)
- fordelingen er forsynet med et effektivt jordstik ifølge normer og betingelser givet af loven
- stikkontakt eller kontakt i tilførslen er godt tilgængelige fra anlægget

Vi fralægger os ethvert ansvar i det tilfælde, at disse normer ikke bliver respekteret og i det tilfælde, at disse anvisninger ikke bliver overholdt.

Før opstart er det nødvendigt at fjerne den beskyttende folie og anlægget skal renses, se kapitlet „rensning og vedligeholdelse“.

SIKKERHEDSANVISNINGER FRA SYNSPUKTET AF BRANDVÆRNET IFØLGE EN 061008 ARTIKKEL 21

- betjeningen af anlægget må udelukkende udføres af voksne personer
 - anlægget må bruges sikkert i almindelige omgivelser ifølge ČSN 332000-1.
 - anlægget skal placeres sådan, at det står eller hænger på et ikke brandbart underlag.
- På anlægget og i distancen mindre end sikkerdistancen må ikke placeres genstande af brandbare materialer (den mindste distance af anlægget til brandbare materialer er 10 cm).
- for sikre distancer fra materialer af de enkelte brandbarhedsgrader og informationer om brandbarhedsgrad af de vanlige byggematerialer - se tavlen

Tavlen:

brandbarhedsgrad af byggemateriale placeres i brandgrader (ČSN 730823) af materialer og produkter

A ikke brandbart granit, sandsten, beton, mursten, keramiske fliser, puds

B dårligt brandbart "akumin", "heraklit", "lihnos", "itaver"

C1 meget brandbart løvetræ, krydsfinér, "sirkoklit", hærdet papir, "umakart"

C2 middelbrandbart spånplade plader, "solodur", korkplader, gummi, gulvmaterialer

C3 letbrandbart træfiberplader, polystyren, polyurethan, PVC

Anlæggene skal installeres på en sikker måde. Under installationen må overholdes tilsvarende projekt-, sikkerheds- og hygiejniske forskrifter ifølge:

- EN 06 1008 brandsikkerhed af de lokale anlæg og varmekilder
- EN 33 2000 omgivelser for elektriske anlæg

BRUGSVEJLEDNING

Før man starter brug af anlægget, er det nødvendigt at rense det grundigt med vand, tilsat opvaskemiddel og bagefter skylle med rent vand. Bagefter tørres. Forlad aldrig anlægget uden tilsyn, når det er i drift.

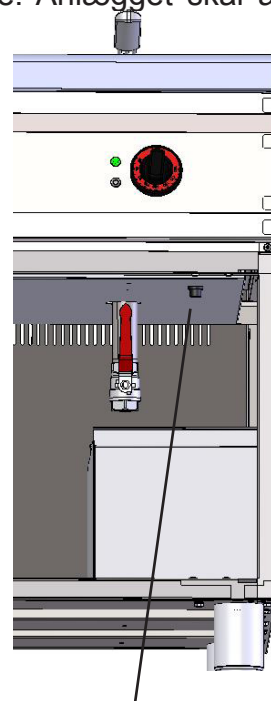
Tænd aldrig for anlægget uden olie eller når olieniveauet er under minimumsmærke – der findes fare for brand.

Kontroller efter du har tilsluttet anlægget til strøm, at varmelegemet befinder sig i arbejdspositionen (fig. 1). Hvis varmelegemet vender lodret, er det ikke muligt at sætte anlægget i gang (fig. 2). Hvis olien er tilsmudset eller hvis den bruges i længere tid, er der fare for, at olien koger over.

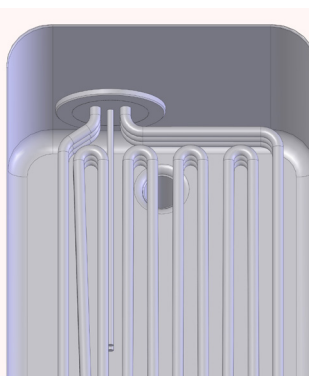
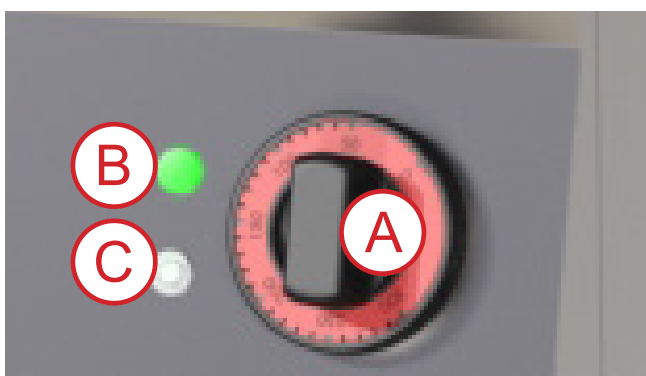
Påfyld anlægget med olie passende til friturestegning helt til maksimumsmærket på siden. Hjælp af betjeningen (A) indstil den ønskede temperatur i omfangen 50°C - 190°C. Kontrollysterne (B) og (C) vil lyse. Kontrollysterne (B) og (C) vil lyse. Kontrollysterne (B) lyser, når anlægget er tændt. Kontrollysterne (C) lyser, når varmespiraler er i drift. Kontrollysterne (C) slukker, når anlægget er opvarmet på den indstillede temperatur. Man slukker for anlægget, når man drejer med betjeningen (E) til positionen „0“.

Notater og anbefalinger

Olieniveauet skal overvåges. Anlægget må aldrig bruges uden olie. Anlægget skal altid bruges



Adgang til sikkerhedstermostat



RENSNING OG VEDLIGEHOLDELSE

NB! Anlægget må ikke renses med direkte- eller trykvand.

Anlægget renses dagligt. Daglig rensning forlænger levetiden og effekten af anlægget. Før man starter rensning, forsikre dig om, at anlægget er afkoblet fra elektrisk strøm. Afbryd altid på hovedtilførsel til anlægget. Rustfrie dele renses med en fugtig klud med opvaskemiddel uden grove partikler, bagefter tørres, specielt omkring reguleringsknappen, hovedkontakten, kabelgennemført tilførselskabel, mikrokoblere og siddelister. Brug ikke abrasive eller korrosive rensmidler.

Rensning af varmeelementer – træk boksen med varmeelementer ud. Varmeelementer renses med en fugtig klud.

Hvordan tappes olien ud? – tag beholderen ud ved hjælp af hanker, der er placeret på sider. Den aktivitet udføres udelukkende, når olien er kold. Beholderen kan vaskes i en opvaskemaskine. I vaskning tørres den, og den nye eller filtrerede olie påfyldes.

Ved typen FE – 10T/1010T er fremgangsmåden sådan: Brugeren skal først skaffe sig en passende beholder til taping af olien fra karet. Beholderen skal være af materiale, der modstår varme, og skal placeres sådan, at olien ikke sprøjter og dermed skaber fare. Påsæt tapperør, fjern sikring mod den ufrivillige åbning i retningen opad, og skyd håndtaget til positionen markeret med den ø hane. Karet tappes ud, kun når olien er kold.

HVORDAN ER FREMGANGSMÅDEN I TILFÆLDE AF FEJL

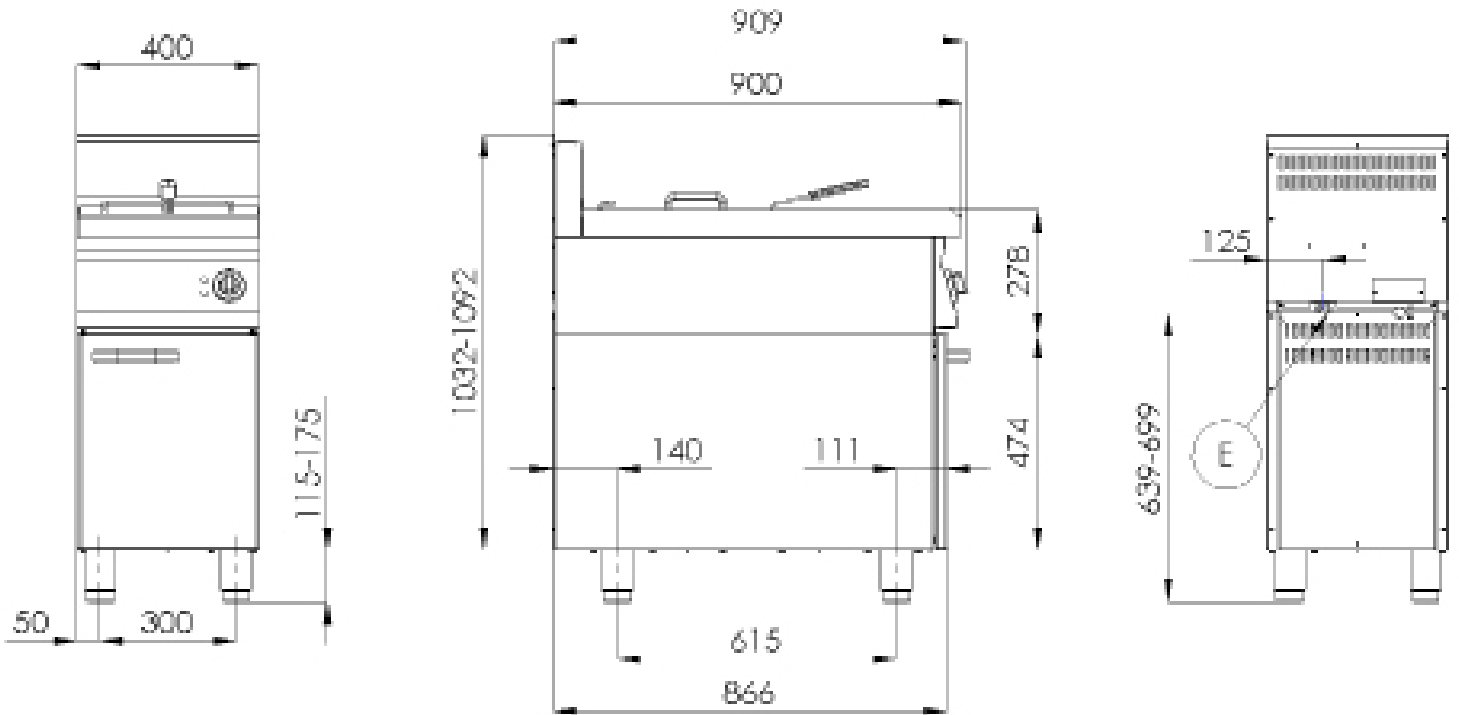
Sluk for den elektriske tilførsel og ring til sælgerens serviceorganisation.

PAS PÅ!

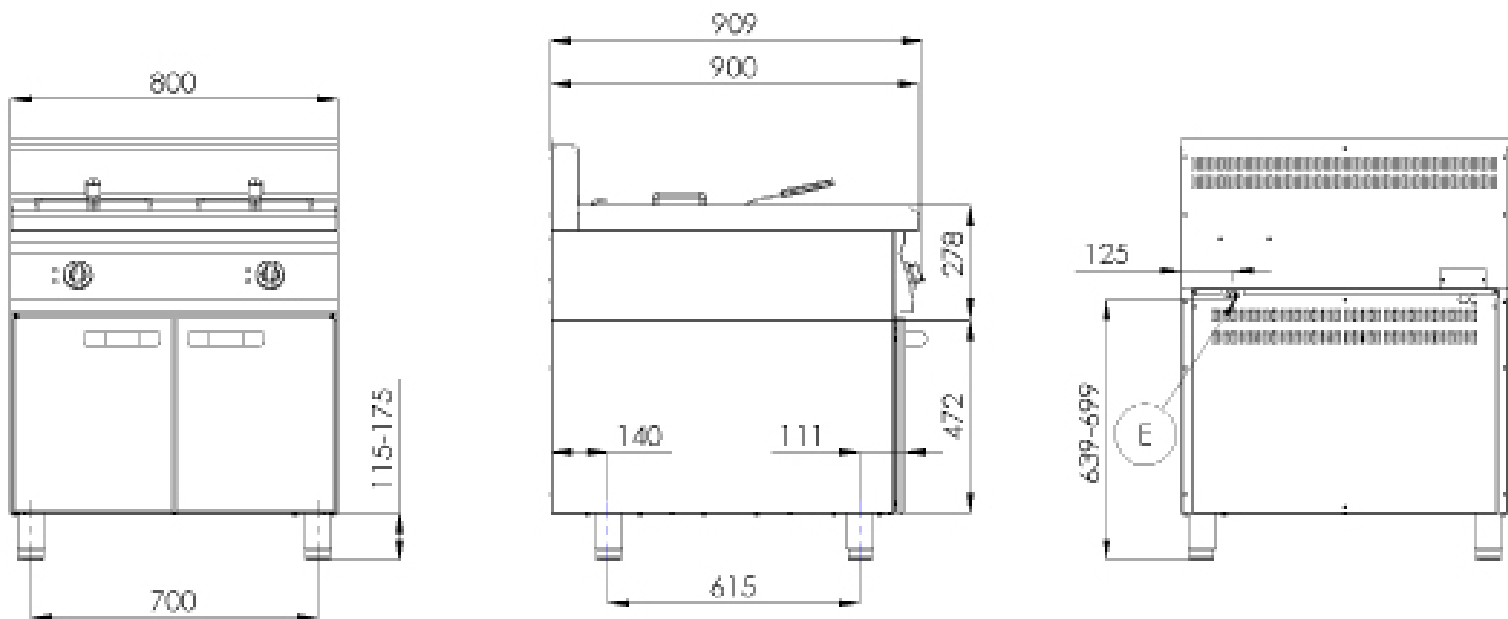
Garantien omfatter ikke alle gummitætninger, elektriske pærer, glas- og plasticdele. Garantien omfatter heller ikke alle brugsdele, der er almindelig slidtage. Garantien omfatter ikke anlæg, hvis installation af anlægget ikke er udført ifølge vejledningen af en berettiget person og ifølge de tilsvarende normer, og hvis der blev manipuleret ufaglignende med anlægget (indgreb i anlæggets indre). Garantien omfatter heller ikke skader, der er forårsaget af naturfænomener.

DIMENSIONELLE BILLEDE

FE-90/40-17 E

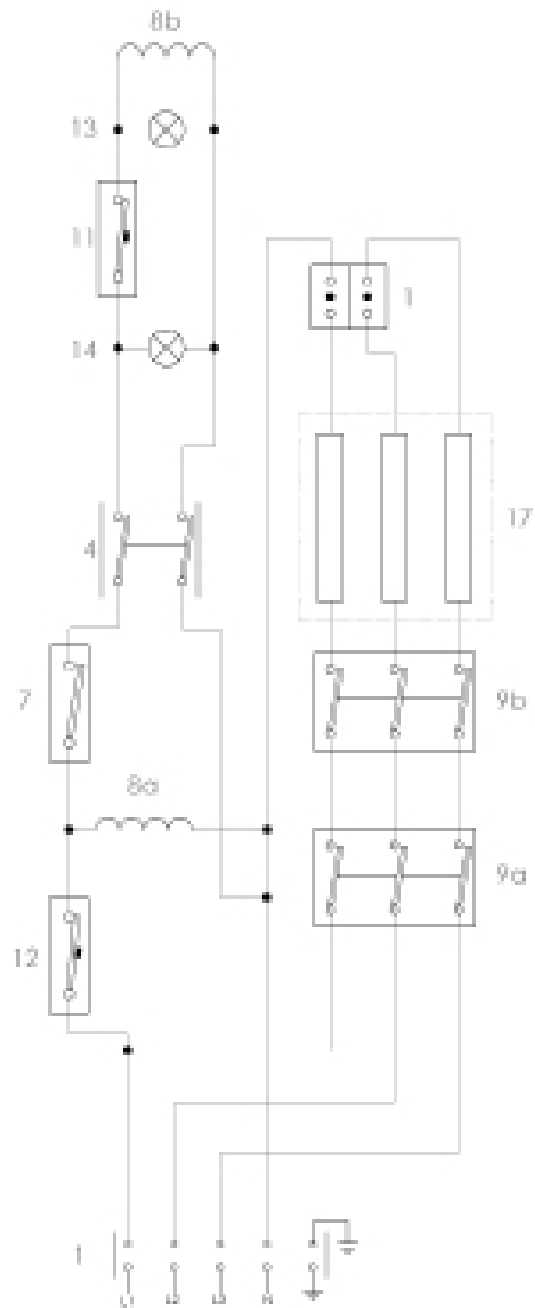


FE-90/80-17 E

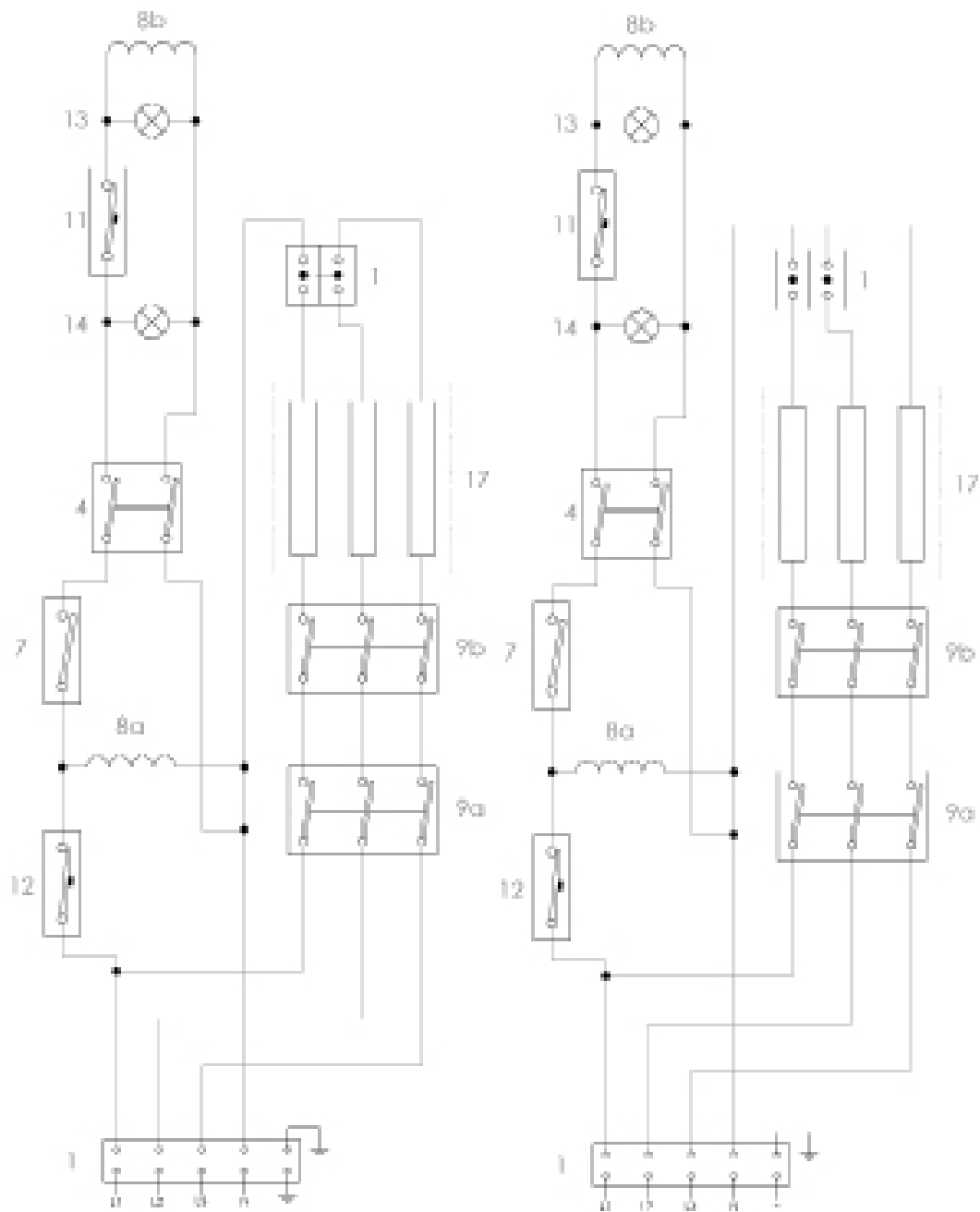


TILSLUTNINGSSKEMAET: 1

FE-90/40-17 E



FE-90/80-17 E



IZJAVA O SAGLASNOSTI SA NORMAMA

Proizvodjač proglašava da uređaji ispunjavaju norme evropskog parlamenta i savjeta 2004/108/ES, 2006/95/ES. Instalacija mora biti provedena prema važećim normama.

Pozor, proizvođač ne snosi odgovornost u slučaju direktnog i/ili indirektnog oštećenja, a koje može biti uzrokovano neodgovornom ili neprofesionalnom instalacijom, neispravnom opravom i/ili korištenjem, nedovoljnim održavanjem i čišćenjem, te ostalim faktorima koji su uvedeni u uputstvu, odnosno uslovima prodaje. Ovaj uređaj je namijenjen samo k profesionalnom korišćenju i upotrebi, tako da mora biti servisiran samo kvalifikovanim osobljem. Dijelovi koji su bili instalirani od strane proizvođača ili njim povjerene osobe, ne smije korisnik mijenjati, niti opravljati.

TEHNIČKI PODACI

MODEL	SANGA (kW)	RAZMJER (mm)	NAPON (V)	VOLUME (l)
FE 90/40 - 17 E	13,5 kW	400 x 900 x 895	400V/3N/50Hz	17
FE 90/80 - 17 E	13,5 kW	800 x 900 x 895	400V/3N/50Hz	17

KONTROLA PAKOVANJA I APARATA

Uređaj napušta naše skladište uredno zapakovan, na pakovanju se nalaze simboli i opis tipa aparata. U pakovanju ćete naći uputstvo za upotrebu. Ukoliko bi se na pakovanju vidjelo da je s njim bilo loše manipulirano, da je pakovanje oštećeno, morate to odmah riješiti sa prijevoznikom, a to tako što ćete s njim napisati i obostrano potpisati protokol o šteti. Kasnije reklamacije nećemo uzimati u obzir.



Proizvod mora jednom godišnje provjeriti specijalizirana služba. Glavni dijelovi koje treba provjeriti su električno ožičenje i ispravno funkcioniranje sigurnosnih elemenata (sigurnosni termostati, kontaktori itd.). Ako se proizvod ne provjerava u redovitim intervalima, proizvođač se odriče odgovornosti za eventualna oštećenja.

Važno upozorenje

Ovo uputstvo mora biti pažljivo pročitano, budući da sadrži bitne informacije o sigurnosti, instalaciji i korištenju.

-Proizvod je određen samo za korištenje u unutarnjem prostoru.

Proizvod nemojte nikad koristiti ukoliko mu je oštećen dovod napajanja ili utikač, ukoliko ne radi ispravno, ukoliko je pao na tlo i time se ošteti ili je pao u vodu. U takvim situacijama odnesite proizvod u stručni servis na provjeru njegove sigurnosti i ispravnog funkcioniranja.

- Ove preporuke se odnose na ovaj proizvod ili liniju proizvoda.
- Ovo uputstvo se treba sačuvati i za buduće korištenje.
- Zabranite djeci da koriste uređaj.
- Prilikom preprodaje ili izmjene pozicije uređaja, neophodno je upoznati servis i osoblje sa priloženim uputstvom za upotrebu i instalaciju.
- Uređaj smije koristiti samo posluša koja je upoznata sa uputstvom.
- Nesmijete ostavljati uređaj bez nadzora.
- Preporučuje se kontrola autorizovanim servisom minimalno 2x godišnje.
- U slučaju oprave ili izmjene rezervnog dijela, koristite samo originalne dijelove.
- Uređaj se ne smije čistiti vodom pod pritiskom (tuš ili crijevo sa vodom).
- U slučaju kvara, isključite aparat iz struje, prekinite dovod vode i/ili plina, a potom se obratite na autorizovani servis.
- Proizvođač ne snosi odgovornost u slučaju pogrešne instalacije, nedodržavanjem gore navedenih preporuka, odnosno neodgovornim korištenjem i sl..
- Uređaj smije biti korišten samo k tomu čemu je namijenjen, drugi način korištenja može uzrokovati oštećenje aparata ili, čak, tjelesne povrede.
- Moramo najstrožije dodržavati pravila protivpožarne zaštite.

POZICIJA

Za ispravan rad i položaj aparata neophodno je dodržavati smjernice i norme propisane u uputstvu.

Raspakujte uređaj i prekontrolirajte da se nije slučajno ošteti tijekom transporta. Smjestite uređaj na vodoravnu podlogu (maksimalna neravnina do 2°). Male neravnine možemo regulirati nožicama.

Ako je aparat smješten tako da će biti u neposrednoj blizini namještaja, taj mora biti otporan na toplotu od 60°C. Instalaciju, podešavanje i početak korištenja mora biti proveden kvalifikovanom osobom, koja je k tomu povjerena od strane autorizovanog servisa.

Uređaj može biti instaliran samostalno ili u seriji sa ostalim našim proizvodima. Obavezno dodržavajte minimalnu udaljenost 10 cm od lako zapaljivih predmeta. U takvom slučaju, moraju biti provedene određene izmjene kako bi izolirale zapaljive materijale.

Uređaj smije biti instaliran samo na nezapaljivoj površini i pored vatrostalnog zida.

INSTALACIJE



Važno:

Proizvođač ne daje nikakvu garanciju na greške uzrokovane neispravnim korištenjem, nepridržavanjem danih instrukcija ili neodgovornim korištenjem proizvoda.

Instalaciju, izmjene i oprave, a jednako tako i demontažu, ukoliko je aparat oštećen, može provesti samo odgovorna osoba, a to povjerena autorizovanim servisom. I to na osnovu ugovora o prodaji i održavanju koji može biti sklopljen samo sa oficijalnim predstavnikom proizvođača, a mora sadržavati sve tehničke propise i norme koje se tiču instalacije, dovoda struje i plina, te bezbjednosti rada.

Tehničke instrukcije za instalaciju i podešavanje služe samo SPECIJALIZIRANIM serviserima.

Instrukcije, koje slijede tiču se tehničara kvalifikovanih za instalaciju uređaja, a da bi to učinili na što korektniji i odgovorniji način, a to prema zadanim normama.

Bilo koja djelatnost vezana za regulaciju i sl., mora biti provedena samo kada je aparat isključen i prekinut dovod plina i/ili vode. Dok aparat ne isključite i odpojite, budite maksimalno oprezni i pažljivi prilikom rukovanja.

Kakav trebate koristiti odvod dima, možete vidjeti na naljepnici sa deklaracijom tipa aparata, radi se o aparatima tipa A1.

BEZBJEDNOSNE MJERE PROTIVPOŽARNE ZAŠTITE

- Koristiti uređaj smiju samo odrasle osobe.
- Uređaj smije biti korišten samo u tome namijenjenom prostoru.
- Uređaj postavite tako da stoji na vatrostalnoj podlozi.

Na uređaj i u njegovoj blizini ne smiju biti postavljeni lako zapaljivi predmeti (najmanja dozvoljena udaljenost između aparata i zapaljivih materijala je 10 cm).

• Informacije o stupnju zapaljivosti uobičajenih građevinskih materijala možete vidjeti na tabeli. Uređaj mora biti instaliran na bezbjednom mjestu. Prilikom instalacije moraju biti respektovani priloženi projektni materijali, sigurnosni i higijenski propisi.

Stupanj zapaljivosti	Gradjevinski materijal
A - nezapaljive	granit, pijesak, beton, cigle, keramičke pločice, žbuka
B - teško zapaljive	akumin, heraklit, lihnos, itaver
C1 - veoma zapaljive	drvo, sirkoklit, tvrdi papir, sadrokarton
C2 - srednje zapaljive	iverica, solodur, pluto, guma, linoleum
C3 - lehce hořlavé	dřevovláknité desky, polystyrén, polyureten, PVC

Uredjaji moraju biti instalirani na bezbijedan način. Prilikom instalacije uredjaja moraju biti respektovani predloženi projektni materijali, bezbijednosni i higijenski propisi.

PRIKLJUČIVANJE EL. KABLA U STRUJU

Instalacija dovoda struje - taj dovod mora imati svoj poseban osigurač. A to odgovarajući prema snazi i naponu instalovanog aparata. Ove podatke ćete naći na naljepnici sa zadnje ili bočne strane aparata.

Uzemljenje može biti duže od ostalih spojnica. Uredjaj pripojite direktno na struju, a neophodno je da instalirate medju uredjajem i strujom prekidač, i to na udaljenosti 3mm medju samostalnim kontaktima, tako da bi odgovarao važećim normama i opterećenju. Uzemljenje (žuto-zeleno) ne smije biti tim prekidačem prekinuto. Aparat je predvidjen da se uključi u utičnicu, ukoliko ima odgovarajući osigurač.

U svakom slučaju, dovod mora biti postavljen tako da kabel niti na jednom mjestu ne može imati toplotu višu za 50 stupnjeva od sredine u kojoj se nalazi. Prije nego što kabel spojite, uvjerite se da:

- osigurač i razvodi mogu podnijeti opterećenje samog aparata (pogledaj naljepnicu)
- razvodi imaju odgovarajuće uzemljenje a to prema normama i uslovima odredjenim zakonom
- utičnica ili prekidač su lako pristupni.

Ne preuzimamo bilo kakvu odgovornost u slučaju da se nisu dane instrukcije respektovale ili ako se nije postupalo prema danim uputama.

Prije prve upotrebe pročitajte poglavlje „čišćenje i održavanje“. Uredjaj mora biti uzemljen pomoću već označenih šarafa.

Pozor! Prije nego što počnete aparat koristiti, neophodno je skinuti zaštitnu foliju sa cijele njegove površine, a potom ga dobro oprati vodom i deterdžentom za sudje i na kraju obrisati vlažnom krpom. Aparat nikada ne ostavljajte uključen bez nadzora! Nikada ga ne uključujte kada je bez ulja ili ukoliko je nivo ulja niži od dozvoljenog, može doći do požara ili trajnog oštećenja aparata.

Nakon povezivanja uređaja s mrežom, uvjerite se da li je grijno tijelo u radnom položaju (sl. 1). Ukoliko je grijno tijelo u okomitom položaju, uređaj se ne može pustiti u rad (sl. 2)

Ukoliko je ulje zagadjeno ili ga koristite duže vrijeme, može doći do toga da vam prekupi. Košaricu za prženje napunite maksimalno do visine 1,5 cm ispod gornjeg obrubnika.

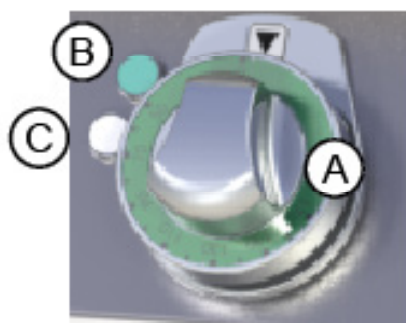
Električni box ima sigurnosni mikro prekidač, koji automatski uređaj isključi iz struje ukoliko box izvadimo iz radnog položaja. Kada ga ponovo vratimo, prekontrolišite da li je u ispravnom položaju na zadnjoj strani friteze. Ukoliko se ne nalazi u ispravnom položaju, prekidač se neće uključiti, tako da friteza neće funkcionisati.

Ukoliko se desi da se isključi osigurač termostata, odšarafite krit termostata sa donje strane el. boxa i pritisnite crno dugme kojim ćete ponovo uključiti osigurač. Ukoliko se vam to bude češće dešavalo, nazovite servis da vam provjeri radnu toplotu uređaja.

Napunite fritezu uljem za prženje do crte maximuma sa bočne strane. Uključite gl. prekidač (A) i regulatorom (D) podesite si željenu toplotu od 90 °C do 190 °C. Lampice (B) i (C) će se razsvijetliti. Lampica (B) svijetli kada je aparat uključen. Lampica (C) svijetli kada su uključeni grijači, a ugasi se kada postignu željenu toplotu. Aparat ćete isključiti kada regulator (D) okrenete na „0“.

Preporuke i upozorenja

Redovno kontrolišite nivo ulja, nikada fritezu ne koristite bez ulja. Koristite samo ulje za prženje. Nikada ne koristite za prženje masnoće koje nisu u tekućem stanju, može doći do trajnog oštećenja aparata. Ukoliko budete koristili masnoće u čvrstom stanju, eventualne reklamacije neće biti priznate, niti uzimane u obzir! Uređaj uvijek imajte pod nadzorom.



sl. 1



sl. 2

POZOR! Aparat ne smijete čistiti vodom koja je pod pritiskom; npr. tuš, crijevo. Čistite ga svakodnevno. Dnevno održavanje produžava život i upotrebnu vrijednost aparata. Prije početka čišćenja, provjerite da li ste aparat isključili iz struje. Uvijek provjerite glavni dovod. Dijelove od nehrdjajućeg čelika čistite vlažnom krpom i tekućim deterdžentom za sudje, potom operite čistom vodom i detaljno osušite. Nemojte koristiti abrazivna ili korozivna sredstva za čišćenje.

Čišćenje grijača - izvucite box sa grijačima. Grijače očistite samo vlažnom krpom.

Šta učiniti u slučaju kvara?

Isključite aparat iz struje i nazovite autorizovani servis.

UPOZORENJE

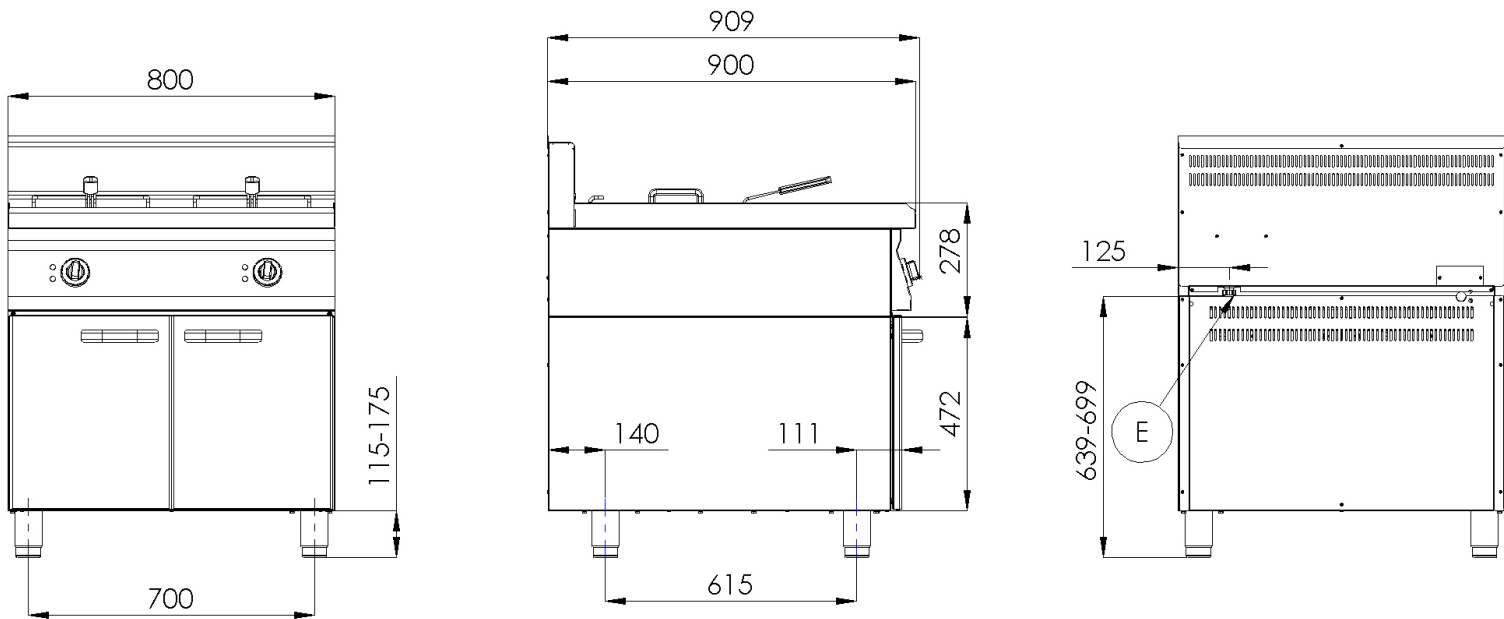
Garancija se ne odnosi na potrošne dijelove (kao što su: gumice, lampice, stakleni i plastični dijelovi...). Garancija se također ne odnosi na uređaj koji nije priključen i instaliran prema uputama, odgovornim serviserom, a prema danim normama. Isto tako, ukoliko su bile napravljene izmjene ili opravke koje nisu predviđene (oprave unutrašnje instalacije) ili ako je uređaj korišten nepoučenim ili neprofesionalnim osobljem, odnosno protivno instrukcijama navedenim u uputstvu za upotrebu. Također, garancija ne vrijedi ukoliko je aparat oštećen vanjskim ili klimatskim uticajima.

Neophodno je provoditi kontrolu uređaja svakih 6 mjeseci. Tu kontrolu treba da provede autorizovani serviser. U slučaju ne održavanja ove preporuke, proizvođač se ograđuje od bilo kakve odgovornosti za štetu na imovini ili zdravlju.

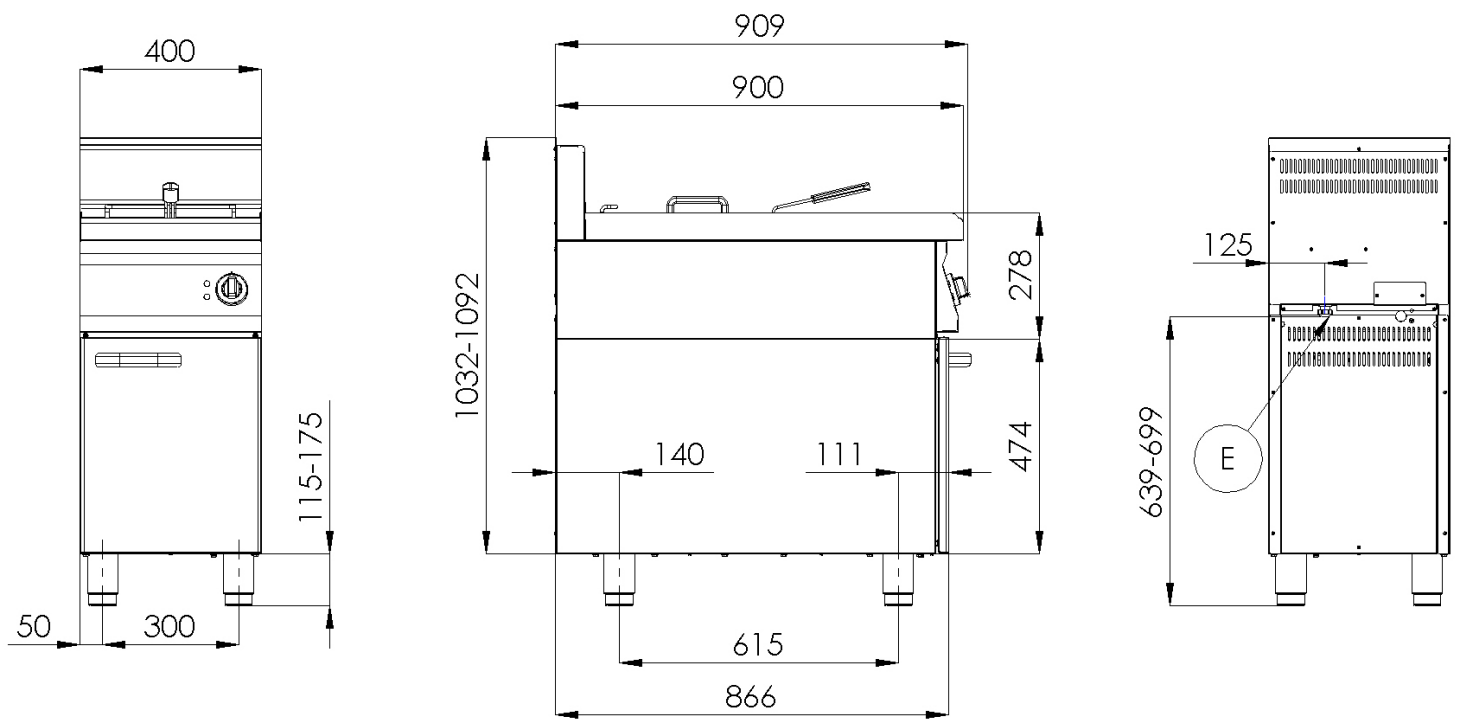
Ambalažu pakovanja i uređaj poslije kraja njegove upotrebne vrijednosti, predajte na otpad, a to prema danim propisima o likvidaciji.

DIMENSIONALNA SLIKA

FE 90/80 - 17 E

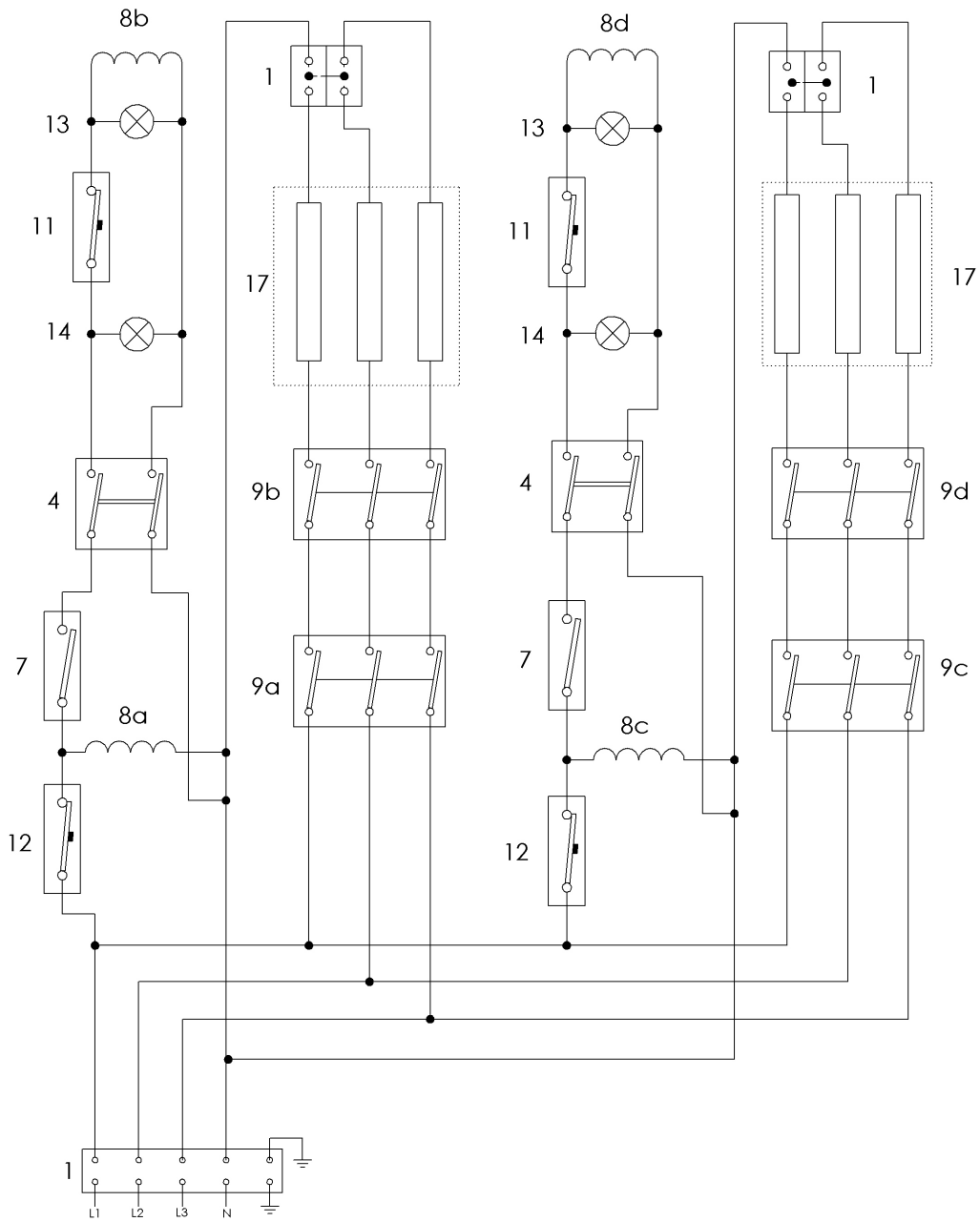


FE 90/40 - 17 E

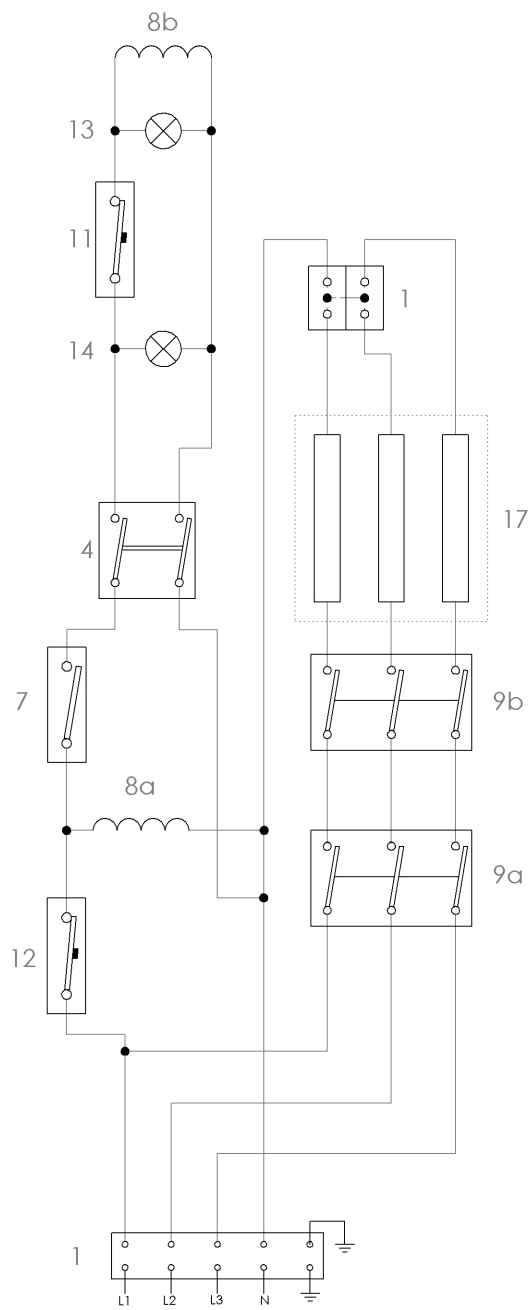


SHEMA PRIKLJUČKA

FE 90/80 - 17 E 400V_3N



FE 90/40 - 17 E 400V_3N



1	TERMINAL
2	SWITCH O / I
3	OSVIJETLJENA SWITCH O / I
4	PREBACITE ROTARY
5	PUSH BUTTON PREKIDAČI
6	PREKIDAČ
7	MICROSWITCH
8	RELEJNE
9	KONTAKTI RELEJA
10	TIMER
11	OPERATIVNI TERMOSTAT
12	SIGURNOSNI TERMOSTAT
13	ORANGE
14	ZELENO SVJETLO
15	DIODA
16	UNUTARNJA RASVJETA
17	GRIJAĆI ELEMENT
18	ZONA ZA KUHANJE
19	TRANSFORMATOR
20	OSIGURAČ
21	REOSTAT
22	TERMOELEKTRIČNA BATERIJA
23	SENZOR
24	MOTOR LIFT
25	MOTOR VENTILATORA
26	POČEVŠI KONDENZATORU
27	SVJEĆICU
28	PLINSKI VENTIL (SIT)
29	SOCKET
30	DIGITALNI TERMOMETAR
31	CONTROL UNIT

DECLARAȚIE DE CONFORMITATE CU NORMELE

Producătorul declară că aparatele sunt conforme cu normele 2014/30/EU, 2014/35/EU, cu legea nr. 117/2016 Sb., 118/2016 Sb. și cu prevederile relevante ale Guvernului. Instalarea trebuie efectuată în conformitate cu normele actuale. Atenție, producătorul nu-și asumă răspunderea în cazuri de defecțiuni directe sau indirecte, datorate instalării sau modificărilor incorecte, întreținerii necorespunzătoare, utilizării defectuoase, sau care sunt rezultatul altor cauze decât cele menționate în punctul despre condițiile vânzării. Acest aparat este destinat exclusiv spre utilizare specializată și trebuie deservit de către personal calificat. Piese, care au fost sigilate de către producător sau un lucrător împuternicit în acest sens nu pot fi remontate

DATE TEHNICE

Menționăm faptul că echipamentul cu caracteristicile tehnice descrise în prezentul manual nu se încadrează în categoria echipamentelor pentru uz casnic, echipamentul fiind destinat în exclusivitate uzului comercial, de către personal calificat.

Plăcuța cu datele tehnice este amplasată pe partea din spate a aparatului. Înainte de a instala aparatul studiați cu atenție informația de pe aceasta.

TIP	PUTERE (kW)	DIMENSIUNE (cm)	VOLUM (l)
FE 90/40 - 17 E	13,5 / 400 V	400x900x900	17
FE 90/80 - 17 E	2 x 13,5 / 400 V	800x900x900	2 x 17

VERIFICAREA AMBALAJULUI ȘI APARATULUI

Aparatul iese din depozitele noastre ambalat în mod regulamentar, cu indicarea simbolurilor și însemnelor corespunzătoare. Ghidul de deservire corespunzător se găsește în ambalaj. Dacă ambalajul prezintă semne de manevrare necorespunzătoare sau urme de deteriorare, este necesar de atenționat transportatorul și de a face un proces verbal de deteriorare.

Produsul trebuie să fie inspectat din nou o dată pe an de către un tehnician de service profesionist. Principalele părți care trebuie verificate sunt cablajul electric și funcționarea corectă a elementelor de siguranță (termostate de siguranță, contactoare etc.). În cazul în care produsul nu este verificat la intervale regulate, producătorul își declină răspunderea pentru orice daune suferite.

Avertismente importante

-Produsul este destinat utilizării numai în interior.

Nu folosiți niciodată dispozitivul cu sursa sau cablul de alimentare deteriorate sau dacă nu funcționează corect, a căzut pe jos și s-a deteriorat sau dacă a căzut în apă. În astfel de cazuri duceți dispozitivul la un service specializat pentru a se verifica siguranța și funcționarea corectă

- Acest ghid trebuie citit cu atenție pentru că conține informații importante despre securitate, instalare și utilizare
- Următoarele recomandări se aplică acestui produs
- Produsul este conform cu normele actuale
- Acest ghid trebuie păstrat pentru utilizarea ulterioară
- Împiedicați manipularea aparatului de către copii
- La vânzare sau relocare asigurați-vă că deservirea aparatului va fi efectuată în conformitate cu instrucțiunile din ghidul anexat
- Produsul poate fi deservit doar de către personalul instruit
- Poate fi utilizat doar pentru prepararea produselor alimentare
- Să nu fie lăsat fără supraveghere
- Se recomandă o inspectare specializată minim 1 dată pe an
- În cazul unei reparații piesele trebuie înlocuite doar cu piese de schimb originale
- A nu se curăța produsul cu jet direct de apă sau apă sub presiune
- În caz de defectare sau disfuncție a aparatului se cere de a deconecta orice alimentare (apă, electricitate, gaz) și de apelat la un servis autorizat
- Producătorul nu-și asumă răspundere în cazul defecțiunilor datorate instalării incorecte, nerespectării avertismentelor susmenționate, utilizării în alte scopuri, etc.

INSTALAREA

Instrucțiuni tehnice pentru instalare și reglare

Destinat DOAR utilizării de către tehnicieni specializați.

Instrucțiunile următoare sunt destinate tehnicianului calificat pentru reparație: Toate operațiunile trebuie să fie efectuate cât mai atent și în conformitate cu normele actuale!!!

Important:

Orice activitate de reglare a aparatului trebuie efectuată după deconectarea acestuia de la rețeaua electrică. Dacă e nevoie de lăsat aparatul sub tensiune, se cere să fie mai atenți!

AMPLASAREA

Pentru asigurarea funcționalității aparatului, spațiul (bucătăria) unde va fi amplasat acesta trebuie să fie bine aerisit (referitor la aceasta: tehnicianul să urmeze normele actuale ale ČSN)

Dacă aparatul e instalat în așa fel încât are contact cu suprafața mobilierului, acestea trebuie să fie rezistente la temperaturi de 60°C. Instalarea, reglarea și darea în exploatare trebuie să fie efectuate de către o persoană calificată, care este autorizată în acest sens și în conformitate cu normele în vigoare.

Despachetați aparatul și verificați dacă nu a fost avariat în timpul transportării. Amplasați aparatul pe o suprafață orizontală (deviere maximă până la 2°). Amplasați aparatul sub hotă ca să fie eliminat mirosul și aburii.

Aparatul poate fi instalat separat sau în serie cu alte produse din gama noastră. Este necesar de a păstra o distanță minimă de 10cm de alte obiecte și de a evita contactul cu obiectele inflamabile. În astfel de cazuri se cere izolarea termică a pieselor inflamabile.

MĂSURI DE SECURITATE DIN PUNCT DE VEDERE AL PROTECȚIEI ÎMPOTRIVA INCENDIILOR CONFORM ČSN EN 061008 ČL. 21:

- Deservirea aparatului trebuie să fie asigurată de către persoane mature
 - Aparatul poate fi utilizat fără pericol în condiții obișnuite conform EN 332000-1
 - Aparatul trebuie amplasat în așa fel încât să fie fixat pe un suport neinflamabil
- Se interzice amplasarea obiectelor inflamabile pe aparat, precum și în apropierea acestuia la distanțe mai mici decât cele recomandate (distanța minimă recomandată este de 10cm)
- Distanțele sigure față de obiectele inflamabile și informațiile despre gradul de combustibilitate a materialelor de construcție sunt indicate în tabel

Tabel:

Gradul de combustibilitate a materialelor de construcție (EN 730823) după substanțe și produse

A neinflamabil	granit, var, beton, cărămidă, gresie ceramică, tencuiala
B greu inflamabile	placă fibrolemnoasă, fibre minerale
C1 dificil inflamabil	Lemn, foioase, hârtie întărită, placaj
C2 mediu inflamabil	plăci aglomerate din așchii de lemn, plăci din plută, cauciuc, pardoseala din PVC
C3 ușor inflamabil	placi fibrolemnoase, polistiren, poliuretan, PVC

Aparatul trebuie instalat într-un mod sigur. În timpul instalării trebuie respectate prevederile de siguranță, proiectare și igienă în conformitate cu:

- EN 06 1008 securitatea de incendiu a dispozitivelor locale și surselor de căldură
- EN 33 2000 mediul înconjurător pentru aparate electrice (33 2000-4-42; 33 2000-4-482)

CONECTAREA CABLULUI ELECTRIC LA REȚEA

Instalarea alimentării cu electricitate: conexiunea trebuie asigurată de sine stătătoare cu o siguranță corespunzătoare și în funcție de tensiunea aparatului instalat. Tensiunea aparatului poate fi verificată pe plăcuța producătorului din partea din spate a aparatului. Conectați aparatul direct la rețea și plasați un întrerupător între aparat și rețea, respectând distanța minimă de 3mm între contacte, și care să corespundă cu normele în vigoare și cu sarcina de lucru. Firul de împământare (galben-verzui) nu trebuie afectat de acest întrerupător.

În orice caz cablul de alimentare trebuie amplasat în așa fel încât temperatura lui să nu depășească în nici un loc cu 50 de grade pe cea a mediului înconjurător. Înainte de a conecta aparatul la rețea asigurați-vă că:

- Siguranța alimentării și distribuția internă vor rezista la sarcina aparatului (vezi plăcuța)
- Conductoarele sunt împământate corespunzător, conform normelor (ČSN) și prevederilor legale
- Priza sau întrerupătorul alimentării sunt ușor accesibile

Nu ne asumăm nici un fel de răspundere în cazul nerespectării acestor norme și în cazul încălcării principiilor enunțate mai sus.

Înainte de prima utilizare îndepărtați folia protectoare de pe aparat și curățați-l așa cum scrie în capitolul „curățare și întreținere“.



-Nu introduceți stecherul de alimentare în priză cu mâinile ude și nici nu o scoateți trăgând de sursa de alimentare!

GHID DE UTILIZARE

Atențiune!

Înainte de utilizarea aparatului, acesta trebuie spălat bine cu apă și soluție pentru vase, iar apoi clătit cu apă curată.

Niciodată să nu lăsați aparatul pomit fără supraveghere.

Niciodată nu porniți aparatul fără ulei sau atâta timp cât nivelul uleiului este sub semnul minim, există pericol de incendiu.

Dacă uleiul conține impurități sau îl folosiți o perioadă mai lungă de timp, există pericol de ardere a uleiului.

Umpleți aparatul cu ulei până la nivelul maxim care este indicat pe partea laterală. Porniți cu întrerupătorul principal alimentarea cu electricitate, cu conectorul (D) ajustați temperatura dorită în intervalul 90°C - 190°C. Beculețele de control (B) și (C) se vor aprinde. Beculețul (B) arde atunci când aparatul este alimentat cu electricitate. Beculețul (C) arde atunci când sunt în funcțiune reșourile electrice. Beculețul (C) se stinge când este atinsă temperatura selectată. Opriți aparatul prin rotirea conectorului (D) până în poziția „0”.

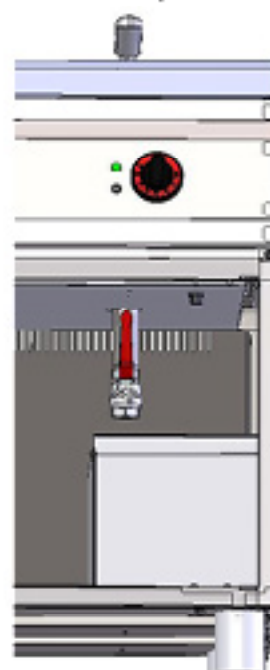
Mențiuni și recomandări

Verificați în continuu nivelul uleiului și nu folosiți aparatul fără ulei. Supravegheați aparatul folosit.

PANOU DE CONTROL



- (B) lumină verde - porniți
- (C) lumină alb - încălzirea
- (D) reglarea butonul termostatului
- (E) capac mâner
- (F) Friteuza mâner de coș



EVACUARE CADĂ

Vărsați cada atâta timp cât uleiul este rece și cu aparatul deconectat de la sursa de curent electric. Utilizatorul trebuie să se doteze de un vas adecvat în care să evacueze uleiul din cadă. Acest vas trebuie să fie dintr-un material rezistent și trebuie amplasat astfel ca uleiul să nu stropască, nedevenind o sursă de pericol. La friteuzele Liniei 900, uleiul se evacuează în vasul amplasat în subansamblu. Rotiți maneta în poziția marcată cu robinetul deschis.

CURĂȚARE ȘI ÎNTREȚINERE

Este recomandat de a inspecta aparatul, cel puțin o dată pe an, de către un servis specializat. Orice intervenții asupra aparatului pot fi operate doar de către o persoană calificată, autorizată în acest sens.

ATENȚIE!!!

Este interzisă curățarea aparatului sub jetul de apa sau apă sub presiune. Curățați aparatul zilnic. Întreținerea zilnică prelungește eficiența și funcționalitatea aparatului. Înainte de a curăța aparatul, asigurați-vă că acesta este deconectat de la rețeaua electrică. Întotdeauna să opriți alimentarea principală a aparatului. Părțile de inox curățați-le cu o cârpă umedă cu soluție de săpun și fără particule tari, iar uscați-le prin ștergere. Nu folosiți soluții de curățat abrazive sau corozive. Înlăturați toate resturile de mâncare de pe suprafața de lucru, posibil și cu ajutorul unui șpaclu.

Zilnic, după utilizarea, trebuie unse suprafețele de contact ale robinetului de descărcare cu vaselină alimentară. La robinetul cu con, vaselina îi asigură și etanșeitatea. Niciodată nu goliți conținutul cazanului fără sita la deversor. Este pericol de astupare și deteriorare a robinetului.

Procedeu în caz de disfuncție a aparatului

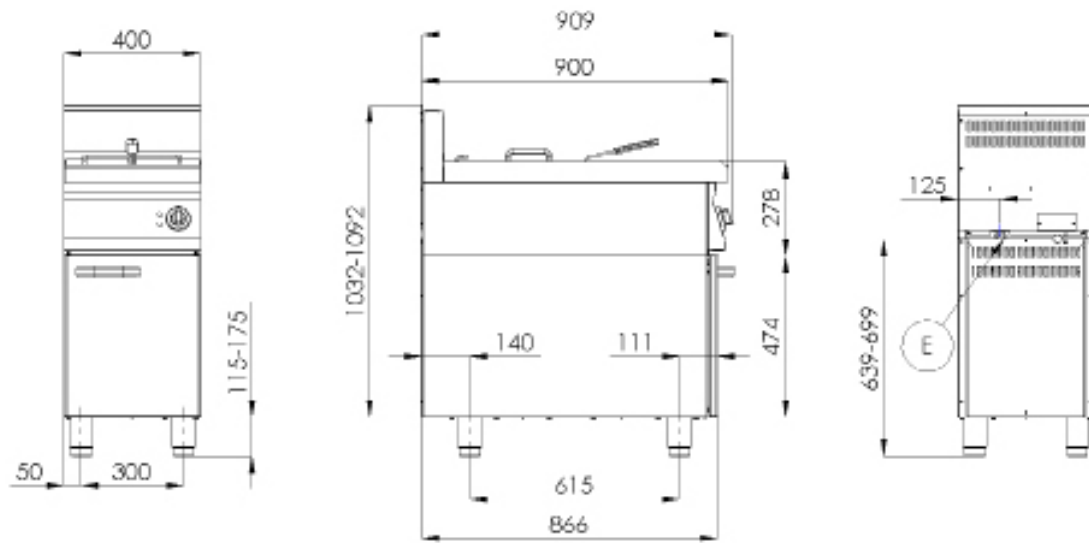
Opriți alimentarea cu electricitate și apelați servisul vânzătorului.

ATENȚIONARE

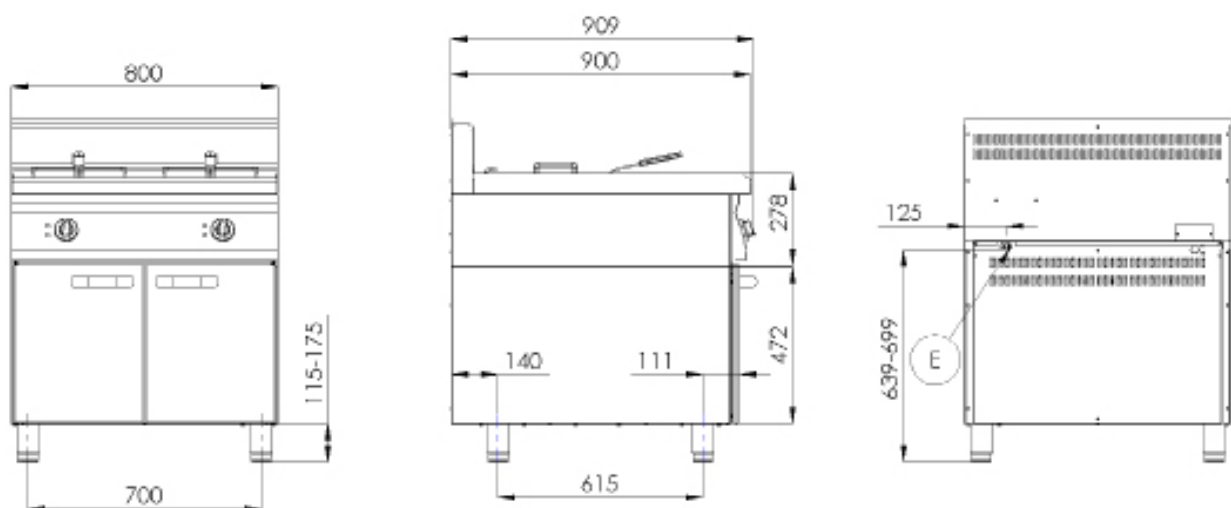
Garanția nu acoperă piesele consumabile care se uzează prin utilizare (garniturile din cauciuc, becurile, părțile din plastic și sticle, etc.). De asemeni garanția nu se aplică aparatelor a căror instalare a fost efectuată contrar normelor (de către o persoană autorizată conform normelor în vigoare) și nici în cazul manipulării defectuoase (intervenții în interiorul aparatului etc.) sau dacă a fost deservit de către personal neinstruit și contrar ghidului de utilizare. Garanția nu se aplica defectelor datorate efectelor naturii sau forței majore.

DIMENSIONALĂ SCHIȚĂ

FE 90/40 E

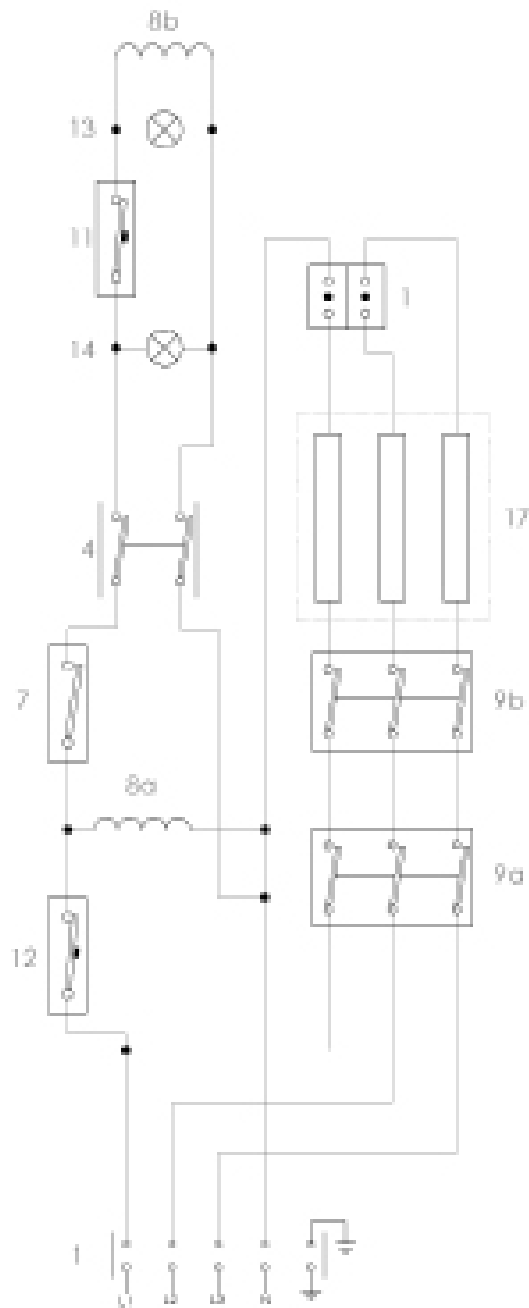


FE 90/80 E

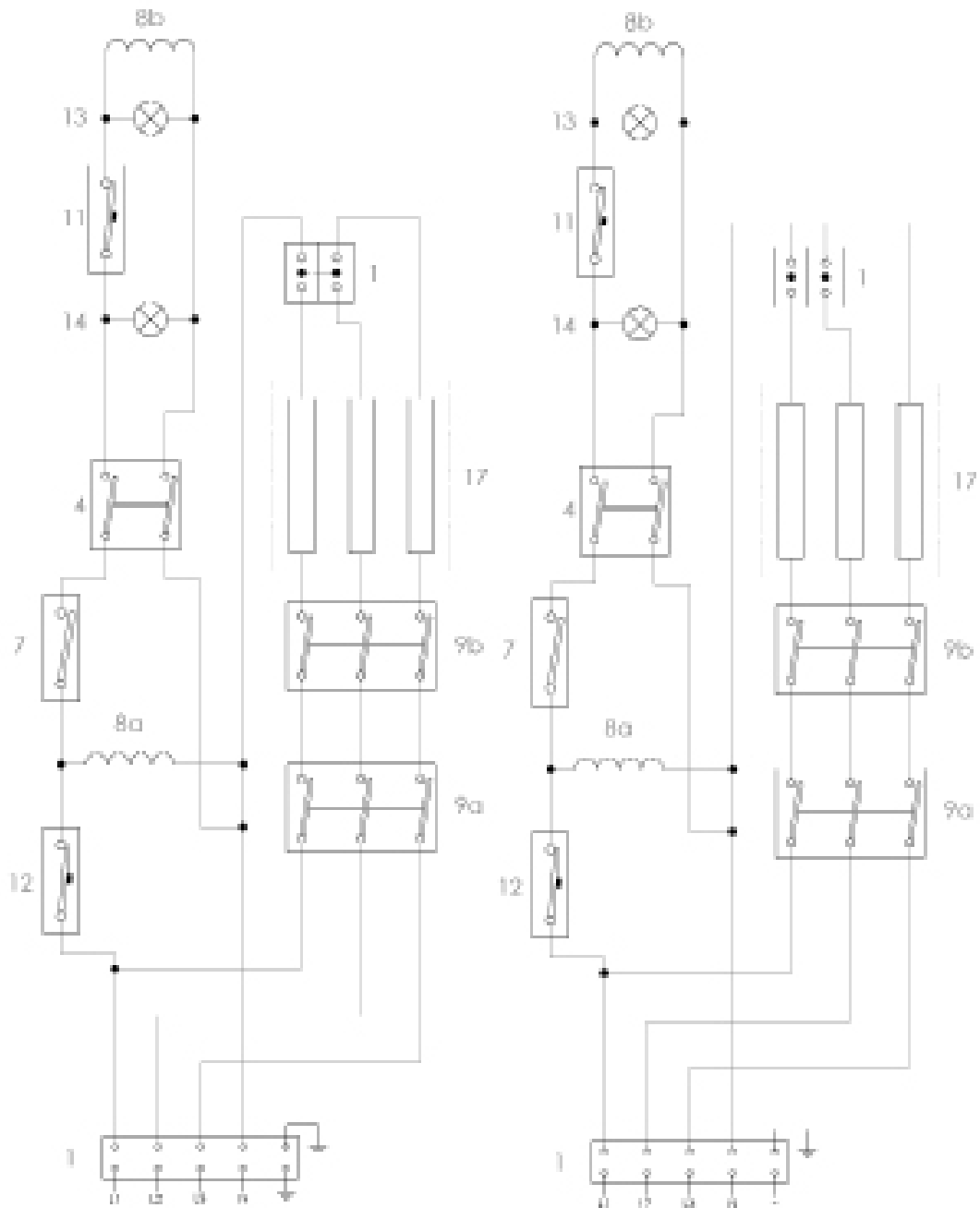


SCHEMA CONECTĂRII

FE 90/40 E



FE 90/80 E



List of service organizations:

CZ: RM GASTRO CZ s. r. o., Náchodská 818/16, Praha 9

Tel. +420 281 926 604, info@rmgastro.cz, www.rmgastro.cz

SK: RM Gastro Slovakia, Rybárska 1, Nové Město nad Váhom

Tel.: +421 32 7717061, obchod@rmgastro.sk, www.rmgastro.sk

PL: RM GASTRO Polska Sp. z o. o., ul. Skoczowska 94, 43-450 Ustroń

Tel.: +33 854 73 26, www.rmgastro.pl